
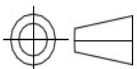
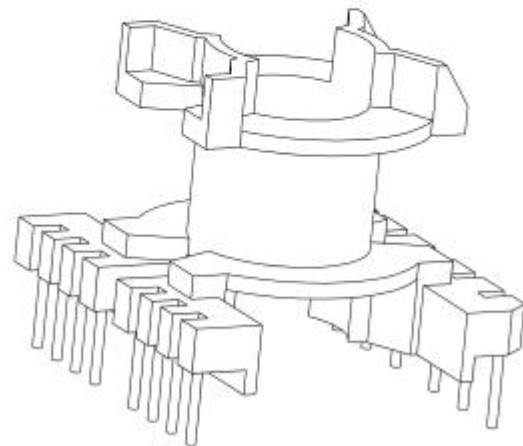
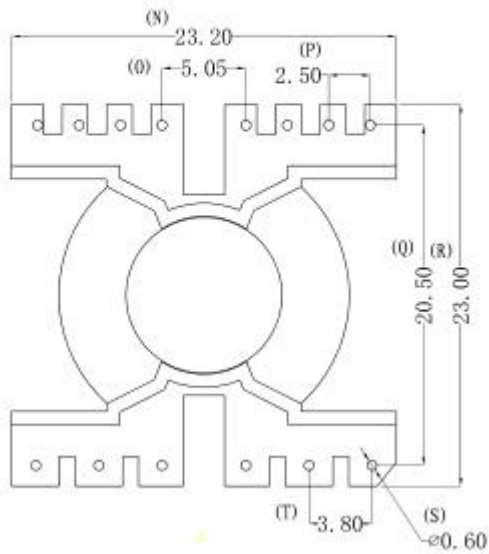
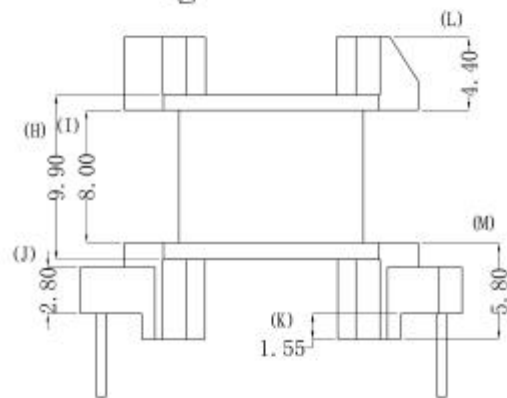
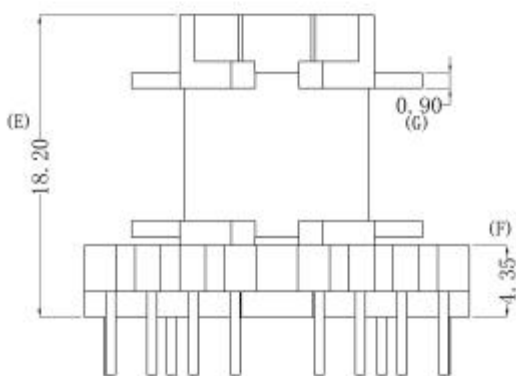
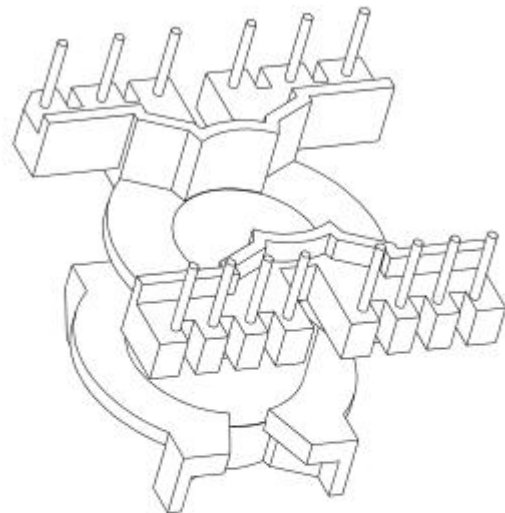
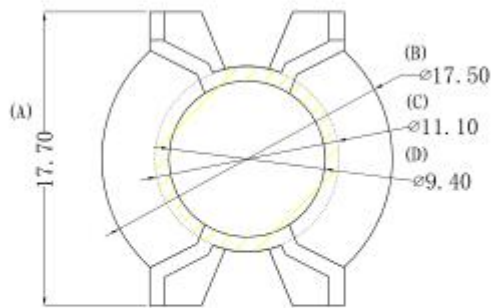

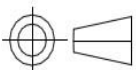
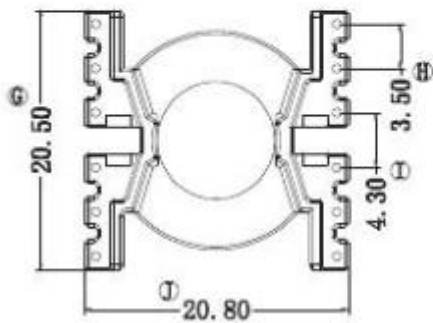
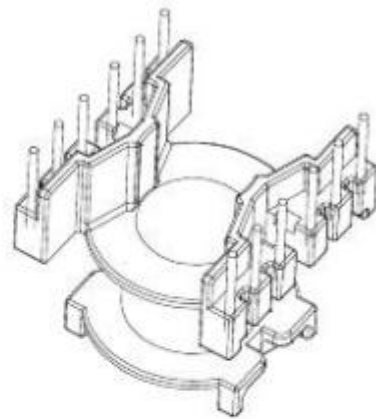
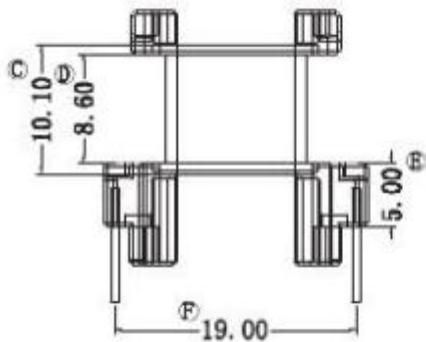
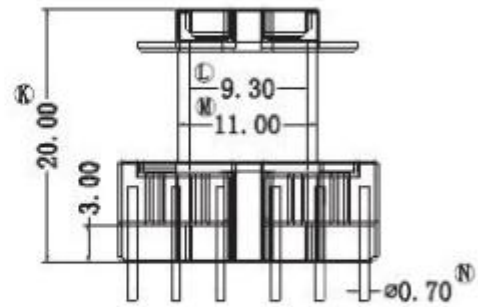
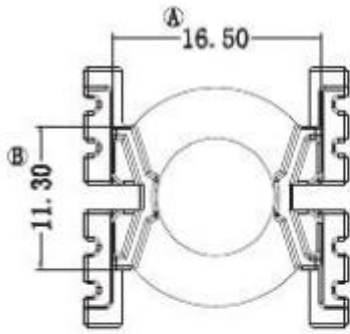

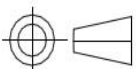


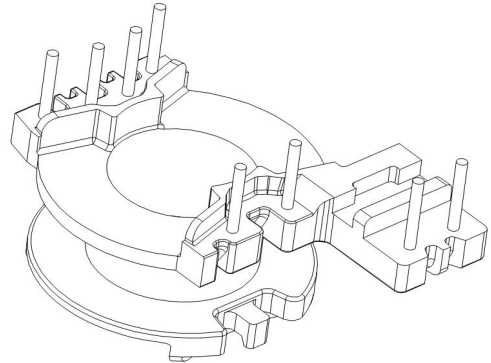
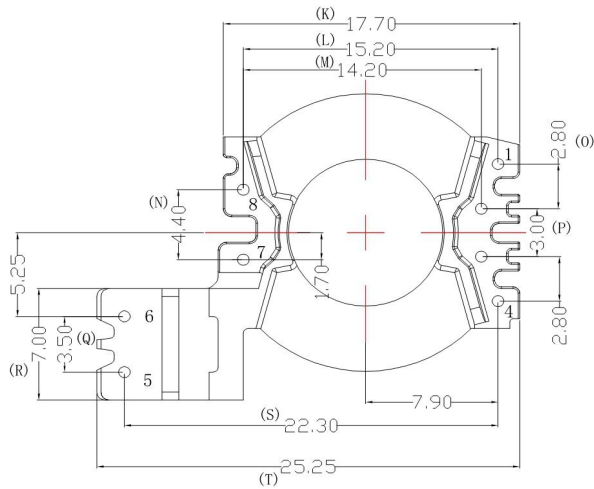
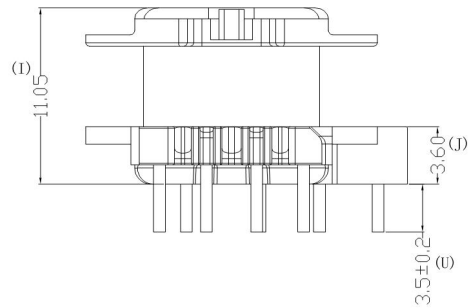
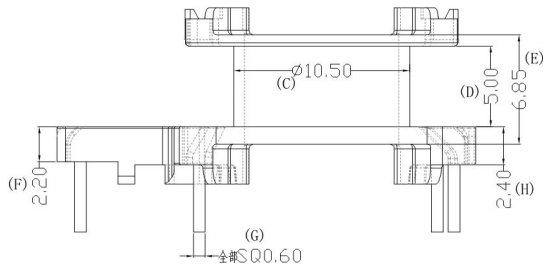
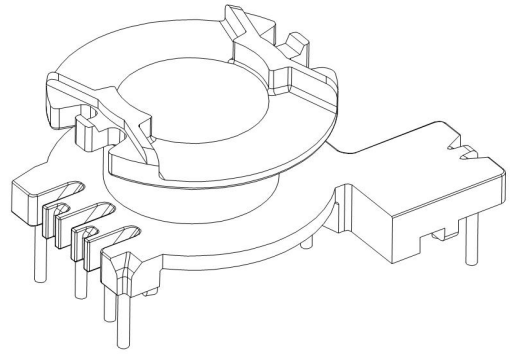
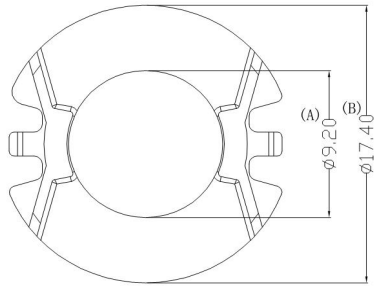
DRAFTED BY	TianXipeng	TOLERANCE		ANGLR: ±1°	MODEL NAME: PQ-2014V(5+5)PIN	
CHECKED BY	Jack Wang	0<L≤4 ±0.1 4<L≤16 ±0.2 16<L≤63 ±0.3	Pin pitch ±0.20	UNIT:MM	MATERIAL: PHENOLIC	UL REC: UL 94V-0
 SHANHOM ENTERPRISE CO.,LTD TEL: 029-87851838 FAX:029-87851840 Email: sales@shinhom.com.cn				SCALE: 1/1	TERMINAL MAT:CP WIRE	PIN TENSION LOAD: 1.0 KGS MIN
					DATE: 2014.03.28	DRAWING NO:


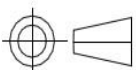


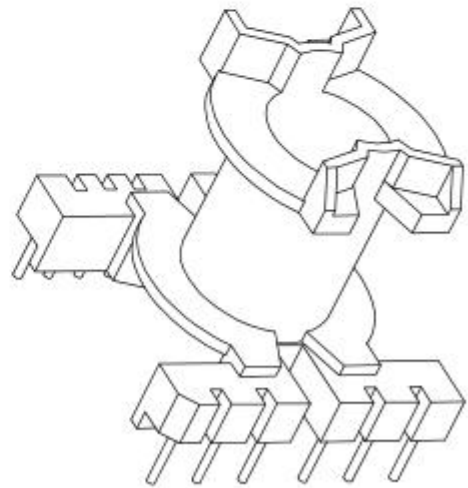
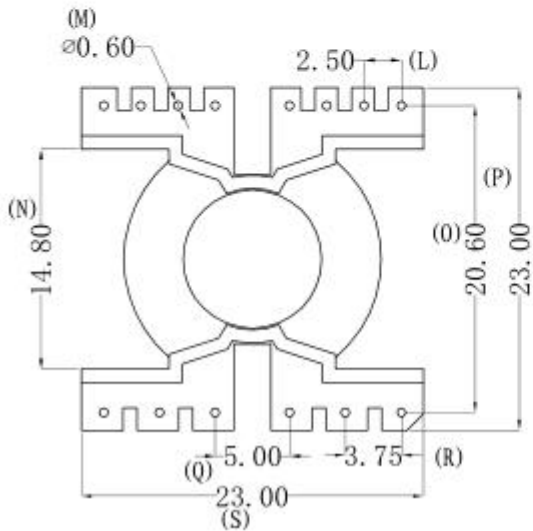
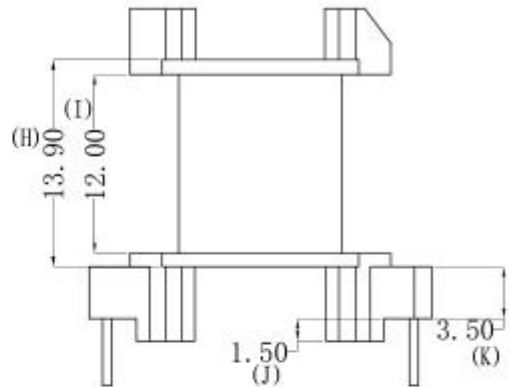
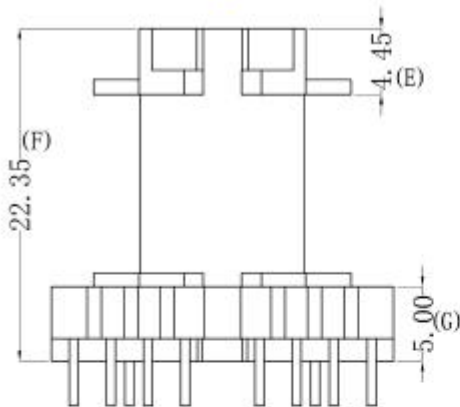
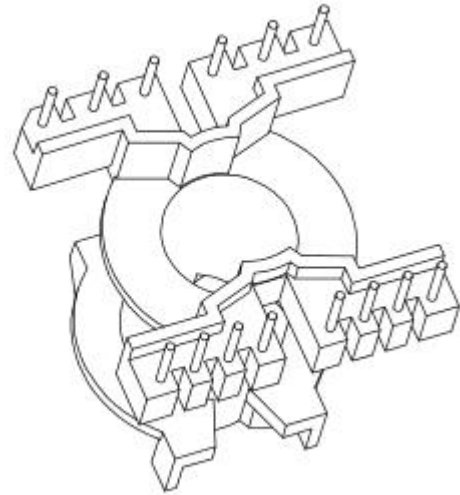
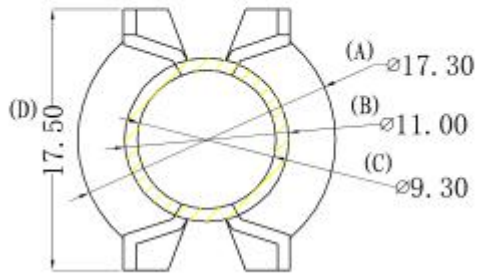
DRAFTED BY	TianXipeng	TOLERANCE		ANGLR: ±1°	MODEL NAME: PQ-2016V(6+8)PIN		
CHECKED BY	Jack Wang	0<L≤4 ±0.1 4<L≤16 ±0.2 16<L≤63 ±0.3	Pin pitch ±0.20	UNIT:MM	MATERIAL: PHENOLIC	UL REC: UL 94V-0	
 SHINHOM	SHAANXI SHINHOM ENTERPRISE CO.,LTD TEL: 029-87851838 FAX:029-87851840 Email: sales@shinhom.com.cn			SCALE: 1/1	TERMINAL MAT:CP WIRE	PIN TENSION LOAD: 1.0 KGS MIN	
						DATE: 2014.03.28	DRAWING NO:


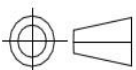


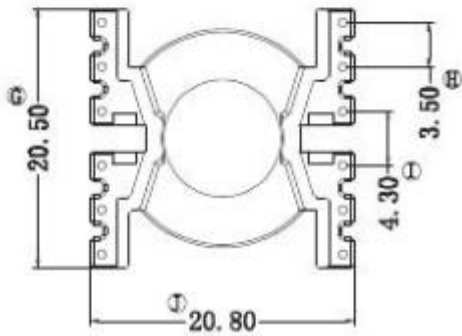
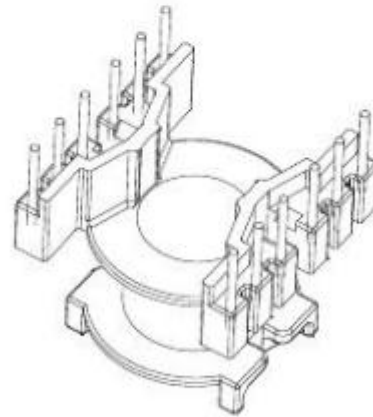
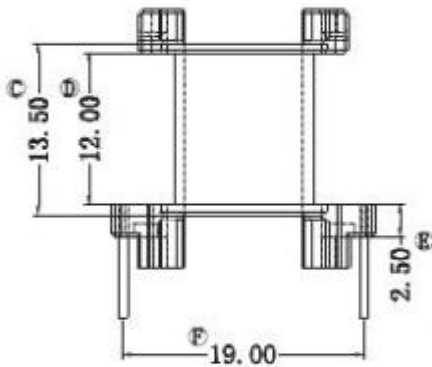
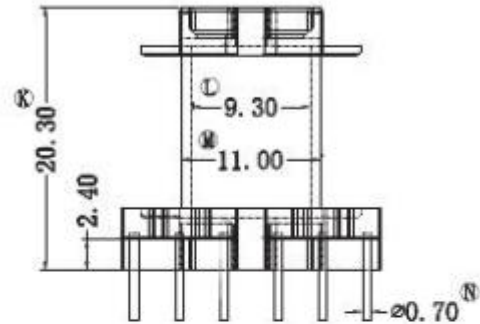
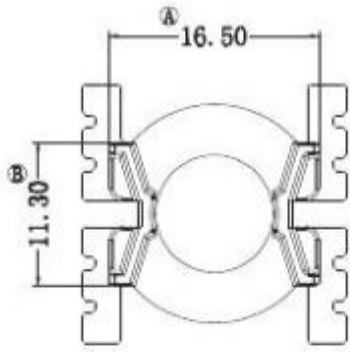
DRAFTED BY	TianXipeng	TOLERANCE		ANGLR: $\pm 1^\circ$	MODEL NAME: PQ-2016-1V(6+6)PIN	
CHECKED BY	Jack Wang	0<L≤4 ±0.1 4<L≤16 ±0.2 16<L≤63 ±0.3	Pin pitch ±0.20	UNIT:MM	MATERIAL: PHENOLIC	UL REC: UL 94V-0
 SHANHOM SHAANXI SHINHOM ENTERPRISE CO.,LTD TEL: 029-87851838 FAX:029-87851840 Email: sales@shinhom.com.cn				SCALE: 1/1	TERMINAL MAT:CP WIRE	PIN TENSION LOAD: 1.0 KGS MIN
					DATE: 2014.03.28	DRAWING NO:


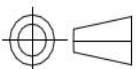


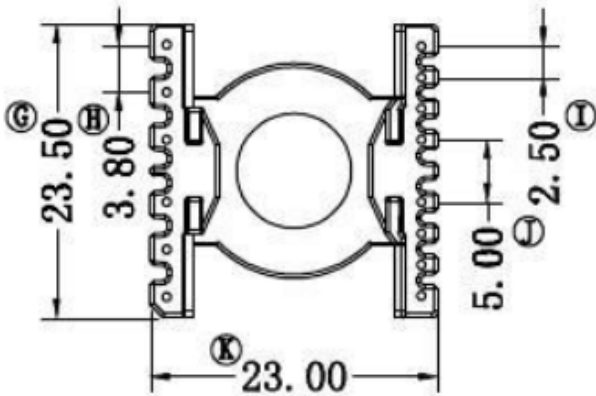
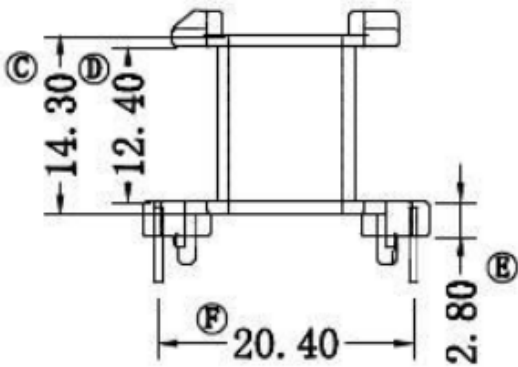
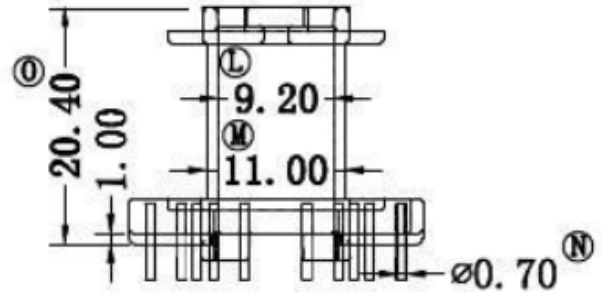
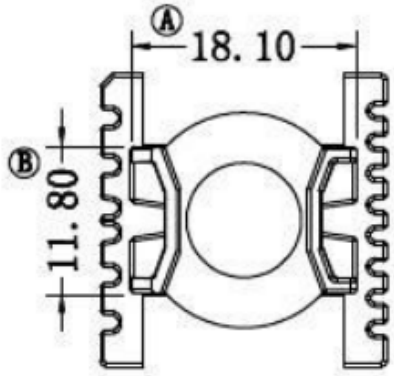
DRAFTED BY	TianXipeng	TOLERANCE		ANGLR: ±1°	MODEL NAME: PQ-2008-1V(4+2+2)PIN		
CHECKED BY	Jack Wang	0<L≤4 ±0.1 4<L≤16 ±0.2 16<L≤63 ±0.3	Pin pitch ±0.20	UNIT:MM	MATERIAL: PHENOLIC	UL REC: UL 94V-0	
 SHINHOM	SHAANXI SHINHOM ENTERPRISE CO.,LTD TEL: 029-87851838 FAX:029-87851840 Email: sales@shinhom.com.cn			SCALE: 1/1	TERMINAL MAT:CP WIRE	PIN TENSION LOAD: 1.0 KGS MIN	
						DATE: 2019.02	DRAWING NO:


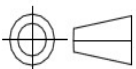


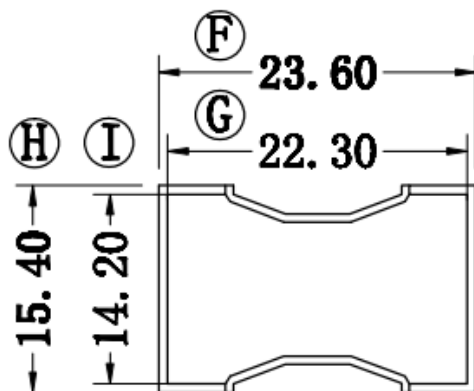
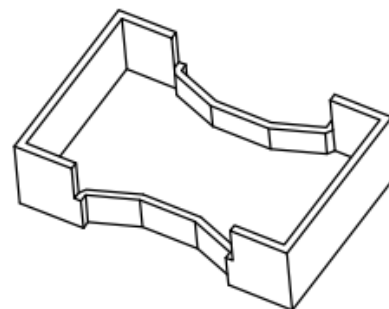
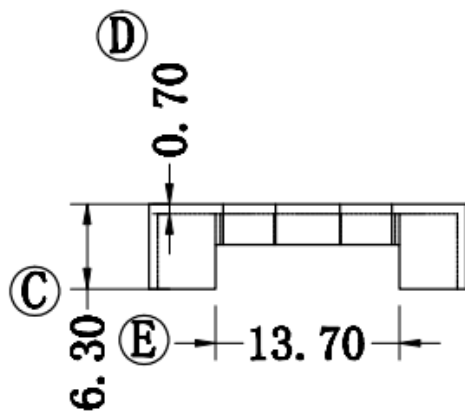
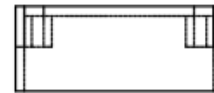
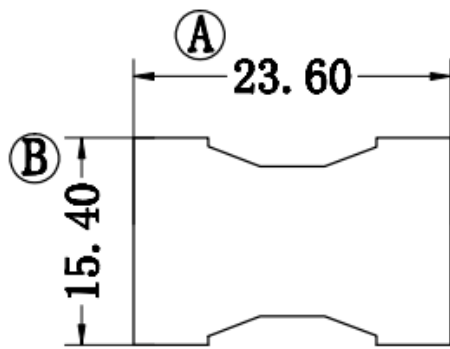
DRAFTED BY	TianXipeng	TOLERANCE		ANGLR: ±1°	MODEL NAME: PQ-2020V(6+8)PIN		
CHECKED BY	Jack Wang	0<L≤4 ±0.1 4<L≤16 ±0.2 16<L≤63 ±0.3	Pin pitch ±0.20	UNIT:MM	MATERIAL: PHENOLIC	UL REC: UL 94V-0	
 SHANHOM SHAANXI SHINHOM ENTERPRISE CO.,LTD TEL: 029-87851838 FAX:029-87851840 Email: sales@shinhom.com.cn				SCALE: 1/1	TERMINAL MAT:CP WIRE	PIN TENSION LOAD: 1.0 KGS MIN	
					DATE: 2014.03.28	DRAWING NO:	REV. A


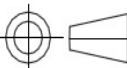


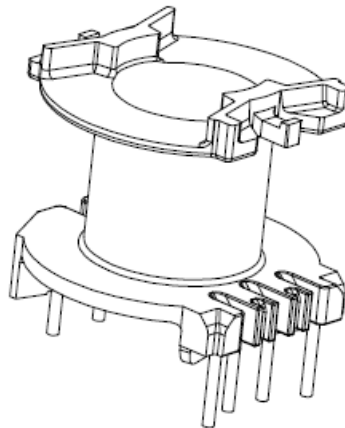
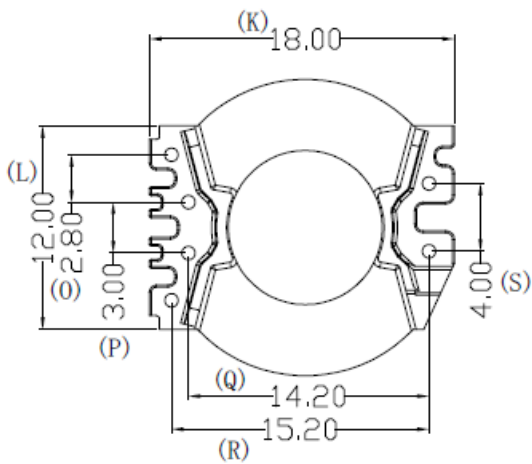
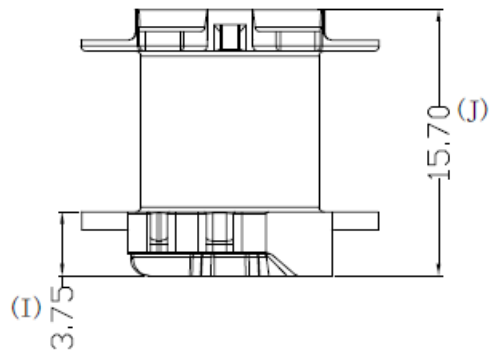
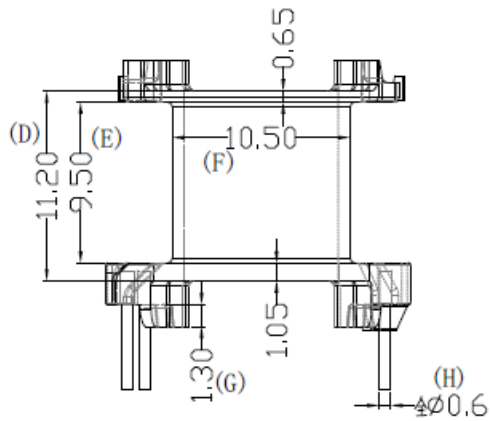
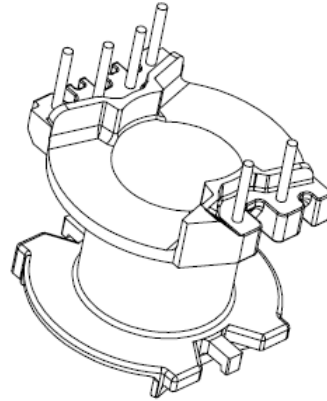
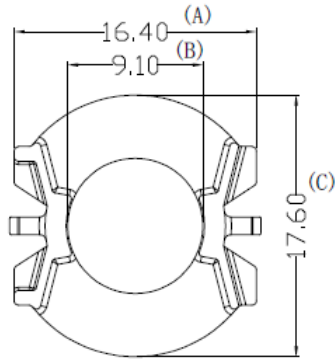
DRAFTED BY	TianXipeng	TOLERANCE		ANGLR: $\pm 1^\circ$	MODEL NAME: PQ-2020-1V(6+6)PIN	
CHECKED BY	Jack Wang	0<L≤4 ±0.1 4<L≤16 ±0.2 16<L≤63 ±0.3	Pin pitch ±0.20	UNIT:MM	MATERIAL: PHENOLIC	UL REC: UL 94V-0
 SHANHOM SHAANXI SHINHOM ENTERPRISE CO.,LTD TEL: 029-87851838 FAX:029-87851840 Email: sales@shinhom.com.cn				SCALE: 1/1	TERMINAL MAT:CP WIRE	PIN TENSION LOAD: 1.0 KGS MIN
					DATE: 2014.03.28	DRAWING NO:


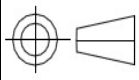


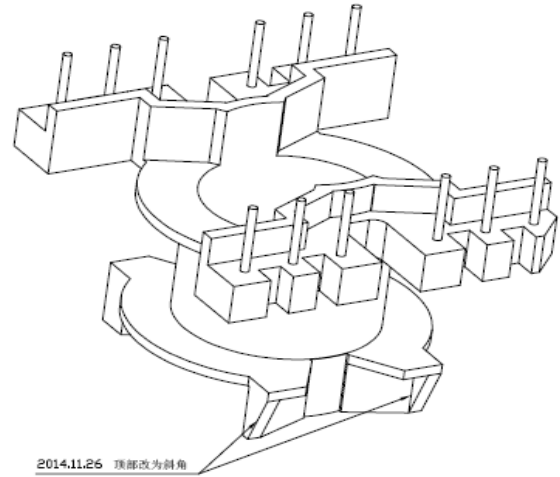
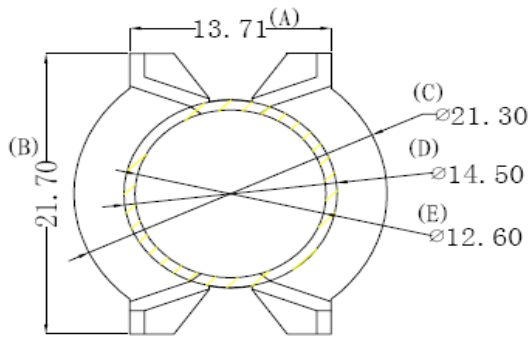
DRAFTED BY	TianXipeng	TOLERANCE		ANGLR: $\pm 1^\circ$	MODEL NAME: PQ-2020-2V(6+8)PIN	
CHECKED BY	Jack Wang	0<L≤4 ±0.1 4<L≤16 ±0.2 16<L≤63 ±0.3	Pin pitch ±0.20	UNIT:MM	MATERIAL: PHENOLIC	UL REC: UL 94V-0
 SHANHOM SHAANXI SHINHOM ENTERPRISE CO.,LTD TEL: 029-87851838 FAX:029-87851840 Email: sales@shinhom.com.cn				SCALE: 1/1	TERMINAL MAT:CP WIRE	PIN TENSION LOAD: 1.0 KGS MIN
					DATE: 2014.03.28	DRAWING NO:



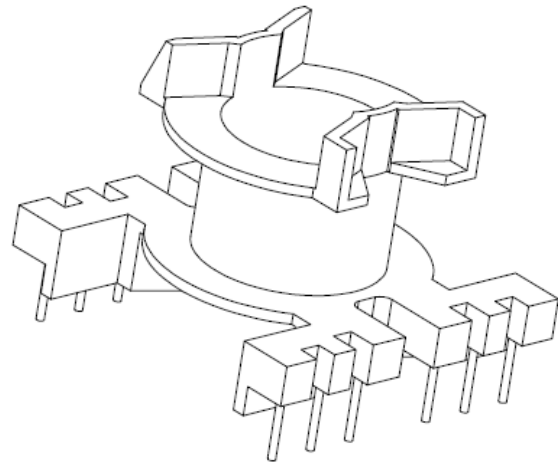
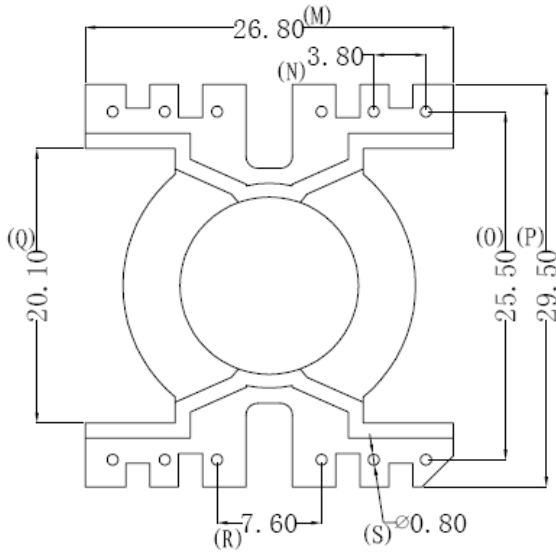
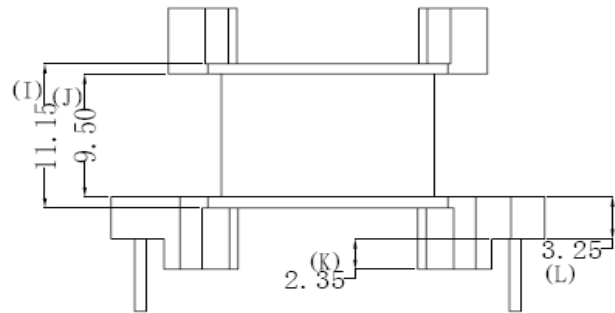
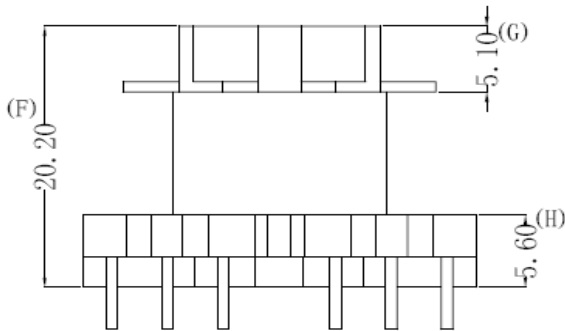
DRAFTED BY	TianXipeng	TOLERANCE		ANGLR: ±1°	MODEL NAME: PQ2020-2k	
CHECKED BY	Jack Wang	0<L≤4 ±0.1 4<L≤16 ±0.2 16<L≤63 ±0.3	Pin pitch ±0.20	UNIT:MM	MATERIAL: PBT	UL REC: UL 94V-0
 SHANHOM SHAANXI SHINHOM ENTERPRISE CO.,LTD TEL: 029-87851838 FAX:029-87851840 Email: sales@shinhom.com.cn				SCALE: 1/1	TERMINAL MAT:CP WIRE	PIN TENSION LOAD: 1.0 KGS MIN
					DATE: 2018.05	DRAWING NO:


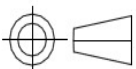


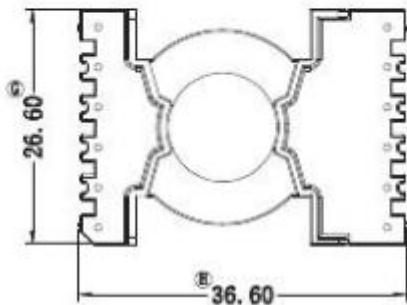
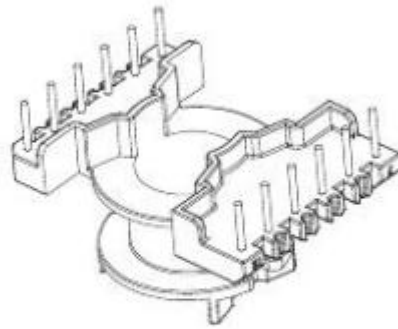
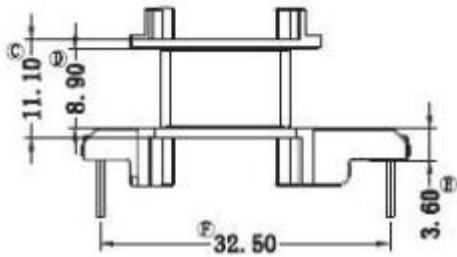
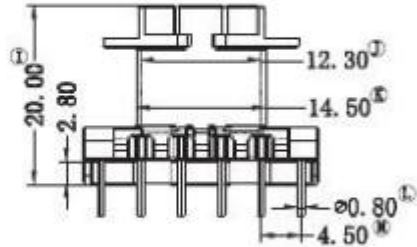
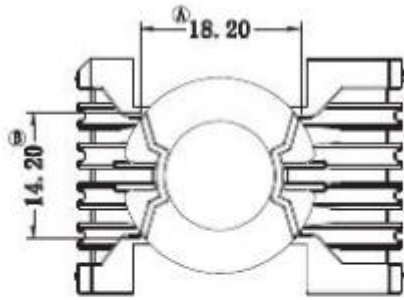
DRAFTED BY	TianXipeng	TOLERANCE		ANGLR: $\pm 1^\circ$	MODEL NAME: PQ-2010V(4+2)PIN	
CHECKED BY	Jack Wang	0<L≤4 ±0.1 4<L≤16 ±0.2 16<L≤63 ±0.3	Pin pitch ±0.20	UNIT:MM	MATERIAL: PHENOLIC	UL REC: UL 94V-0
 SHANHOM SHAANXI SHINHOM ENTERPRISE CO.,LTD TEL: 029-87851838 FAX:029-87851840 Email: sales@shinhom.com.cn				SCALE: 1/1	TERMINAL MAT:CP WIRE	PIN TENSION LOAD: 1.0 KGS MIN
					DATE: 2014.03.28	DRAWING NO:


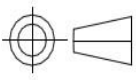


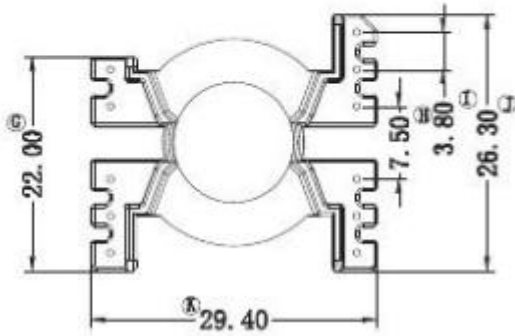
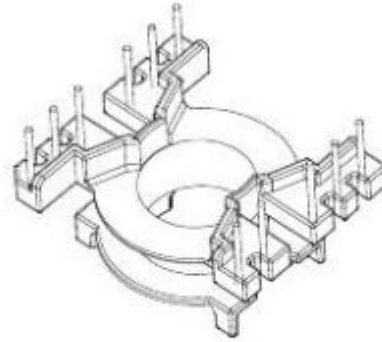
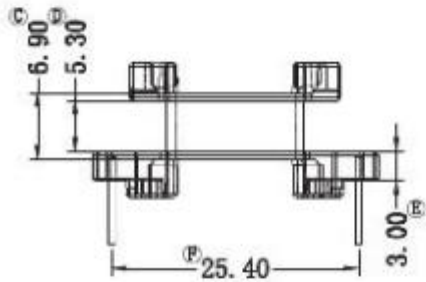
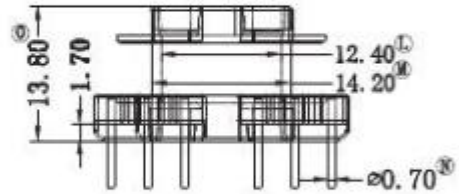
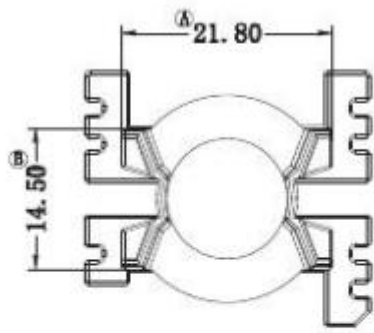
2014.11.26 顶部改为斜角


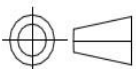


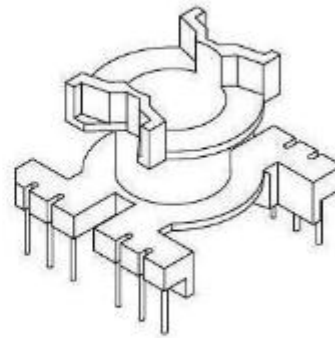
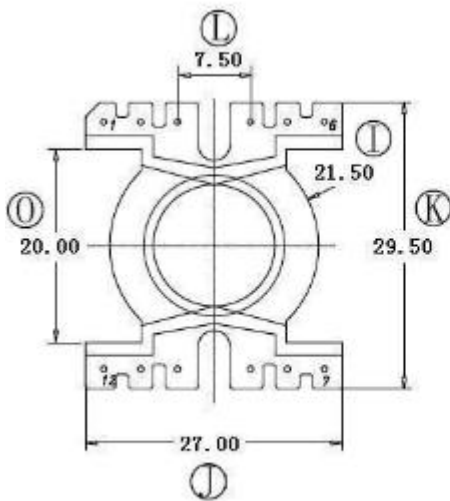
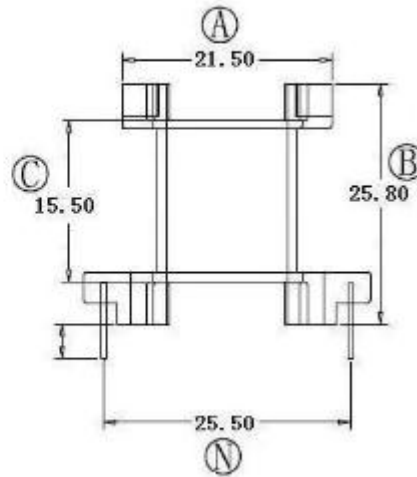
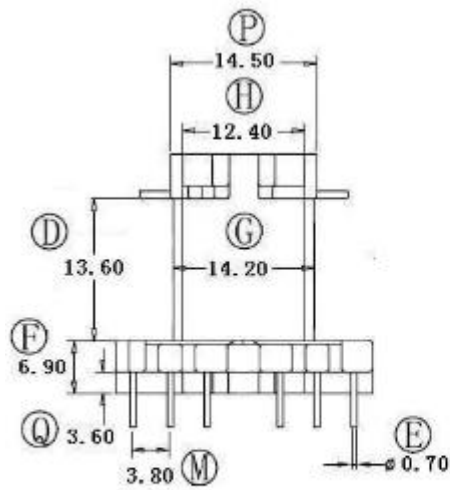
DRAFTED BY	TianXipeng	TOLERANCE		ANGLR: $\pm 1^\circ$	MODEL NAME: PQ-2620-3V(6+6)PIN		
CHECKED BY	Jack Wang	0<L≤4 ±0.1 4<L≤16 ±0.2 16<L≤63 ±0.3	Pin pitch ±0.20	UNIT:MM	MATERIAL: PHENOLIC	UL REC: UL 94V-0	
 SHANHOM SHAANXI SHINHOM ENTERPRISE CO.,LTD TEL: 029-87851838 FAX:029-87851840 Email: sales@shinhom.com.cn				SCALE: 1/1	TERMINAL MAT:CP WIRE	PIN TENSION LOAD: 1.0 KGS MIN	
					DATE: 2014.03.28	DRAWING NO:	REV. A


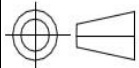


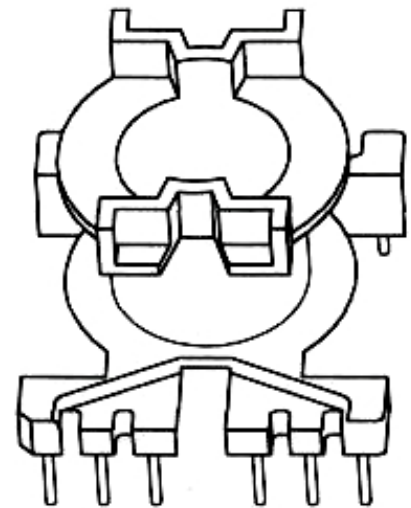
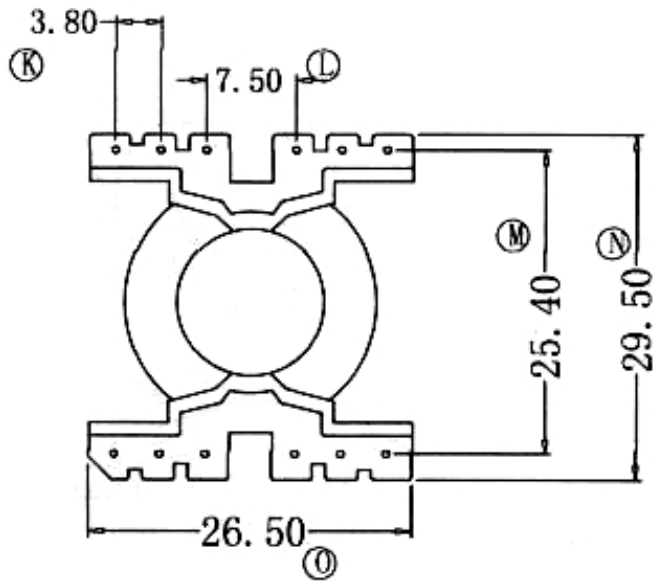
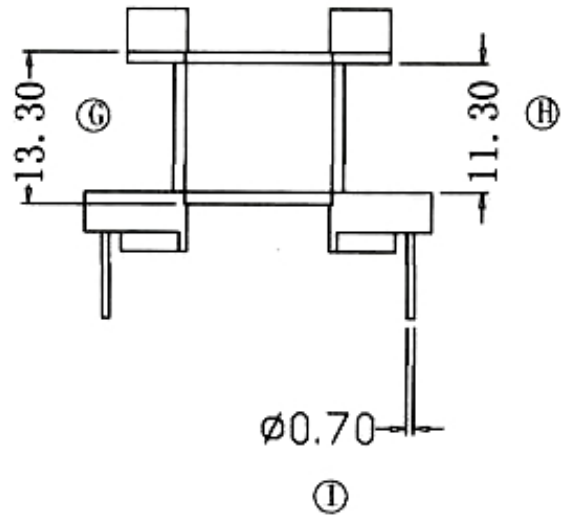
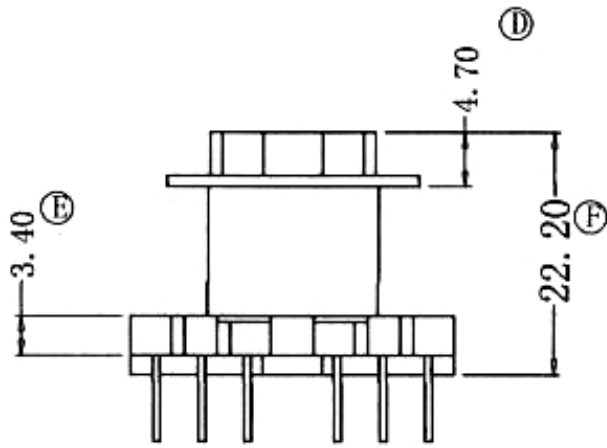
DRAFTED BY	TianXipeng	TOLERANCE		ANGLR: ±1°	MODEL NAME: PQ-2620-V1 V(6+6)PIN		
CHECKED BY	Jack Wang	0<L≤4 ±0.1 4<L≤16 ±0.2 16<L≤63 ±0.3	Pin pitch ±0.20	UNIT:MM	MATERIAL: PHENOLIC	UL REC: UL 94V-0	
 SHANHOM SHAANXI SHINHOM ENTERPRISE CO.,LTD TEL: 029-87851838 FAX:029-87851840 Email: sales@shinhom.com.cn				SCALE: 1/1	TERMINAL MAT:CP WIRE	PIN TENSION LOAD: 1.0 KGS MIN	
					DATE: 2014.03.28	DRAWING NO:	REV. A


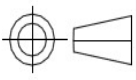


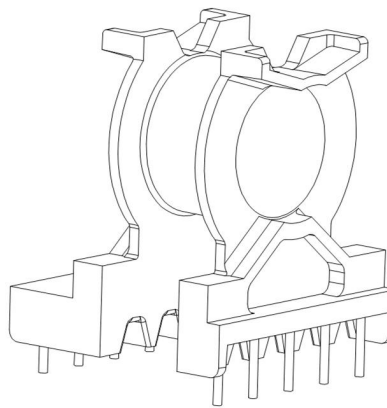
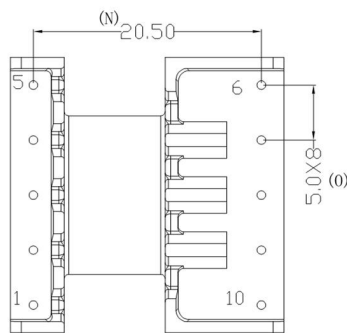
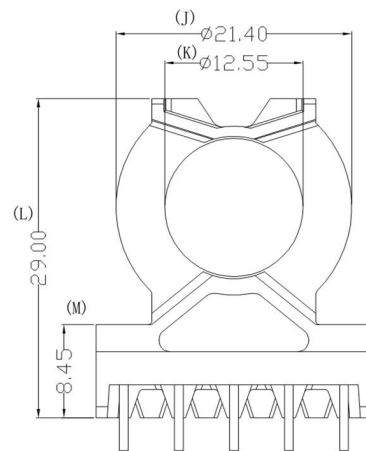
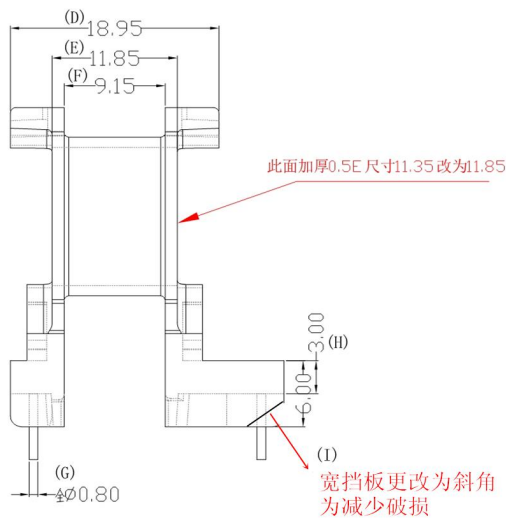
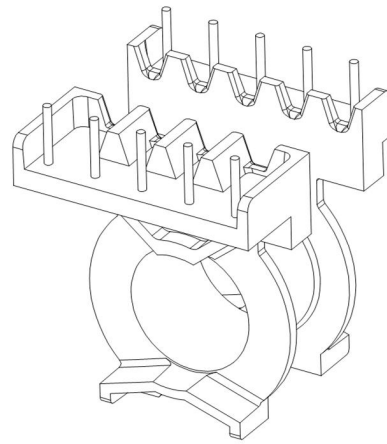
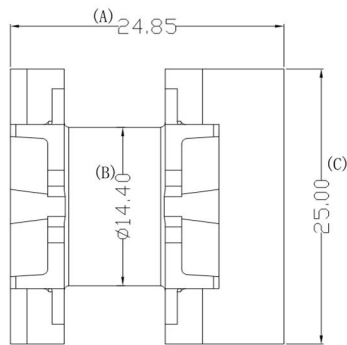
DRAFTED BY	TianXipeng	TOLERANCE		ANGLR: $\pm 1^\circ$	MODEL NAME: PQ-2615V(5+6)PIN	
CHECKED BY	Jack Wang	$0 < L \leq 4 \pm 0.1$ $4 < L \leq 16 \pm 0.2$ $16 < L \leq 63 \pm 0.3$	Pin pitch ± 0.20	UNIT:MM	MATERIAL: PHENOLIC	UL REC: UL 94V-0
 SHANHOM SHAANXI SHINHOM ENTERPRISE CO.,LTD TEL: 029-87851838 FAX:029-87851840 Email: sales@shinhom.com.cn				SCALE: 1/1	TERMINAL MAT:CP WIRE	PIN TENSION LOAD: 1.0 KGS MIN
					DATE: 2014.03.28	DRAWING NO:





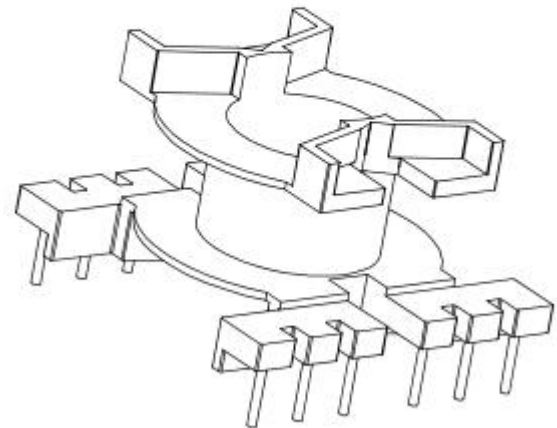
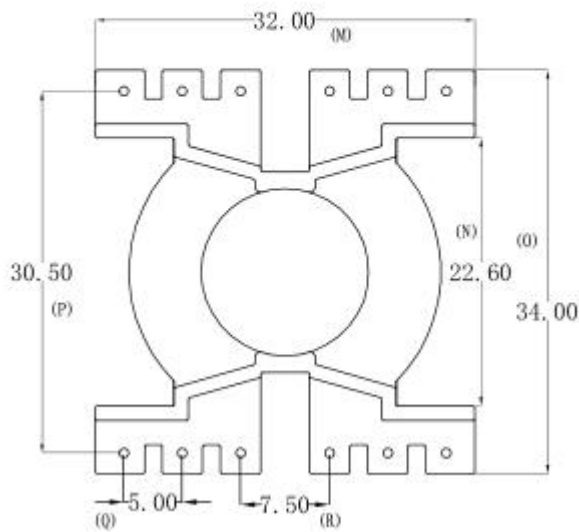
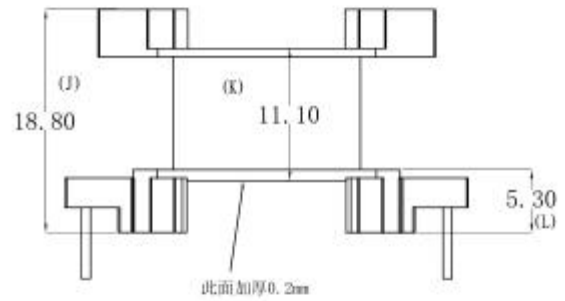
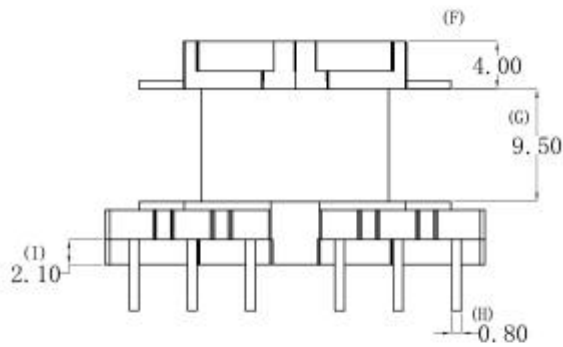
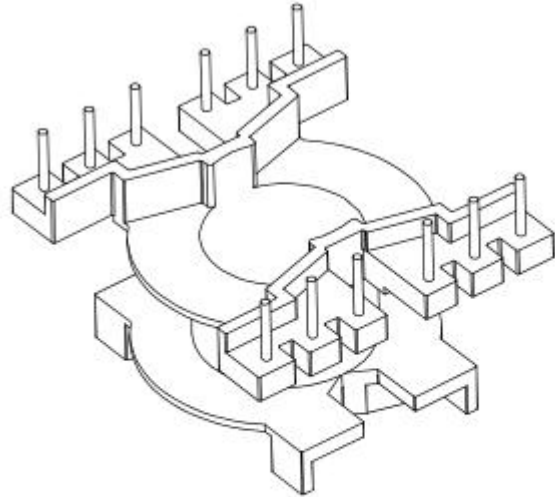
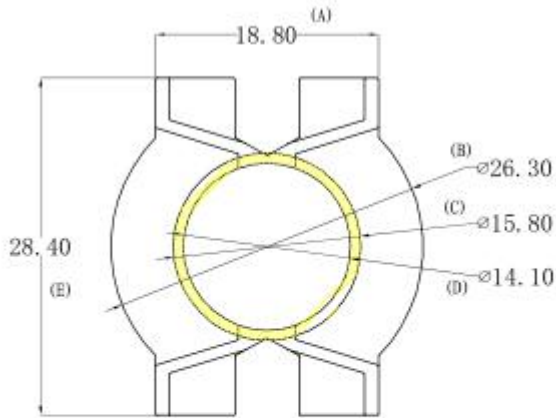
DRAFTED BY	TianXipeng	TOLERANCE		ANGLR: ±1°	MODEL NAME: PQ-2625V(6+6)PIN	
CHECKED BY	Jack Wang	0<L≤4 ±0.1 4<L≤16 ±0.2 16<L≤63 ±0.3	Pin pitch ±0.20	UNIT:MM	MATERIAL: PHENOLIC	UL REC: UL 94V-0
 SHANHOM SHAANXI SHINHOM ENTERPRISE CO.,LTD TEL: 029-87851838 FAX:029-87851840 Email: sales@shinhom.com.cn				SCALE: 1/1	TERMINAL MAT:CP WIRE	PIN TENSION LOAD: 1.0 KGS MIN
					DATE: 2014.03.28	DRAWING NO:


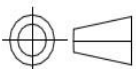


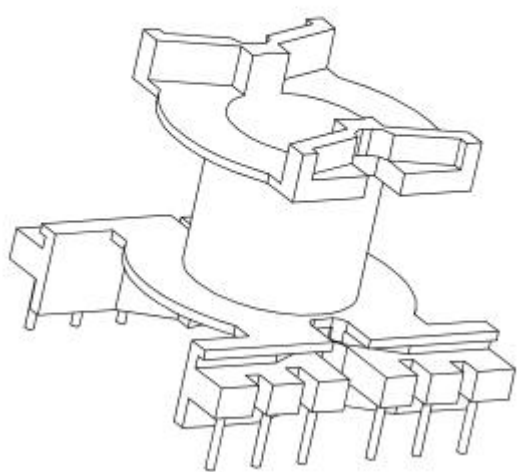
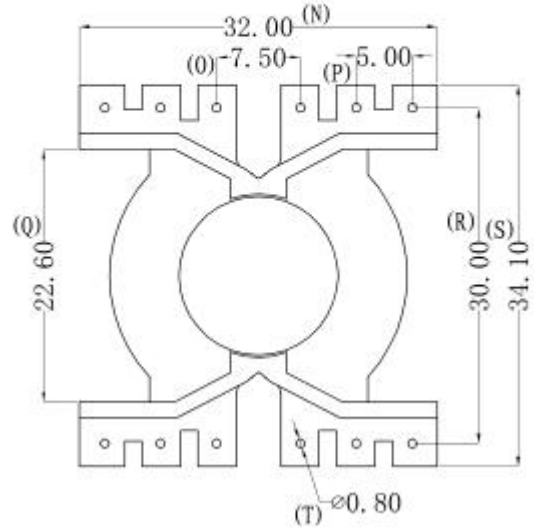
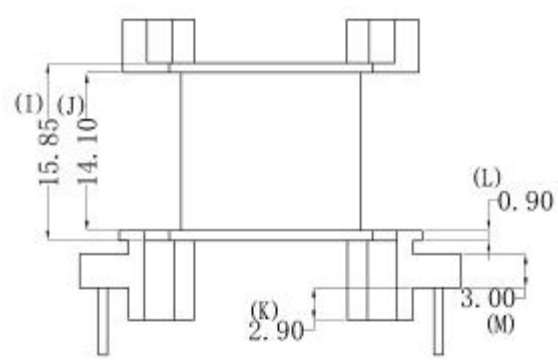
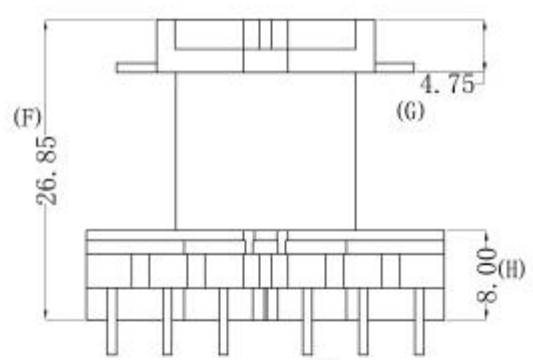
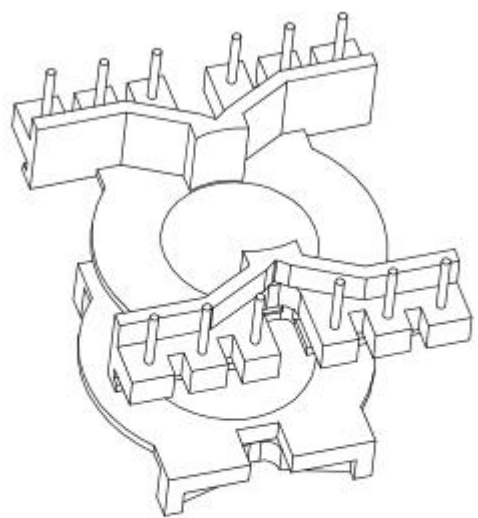
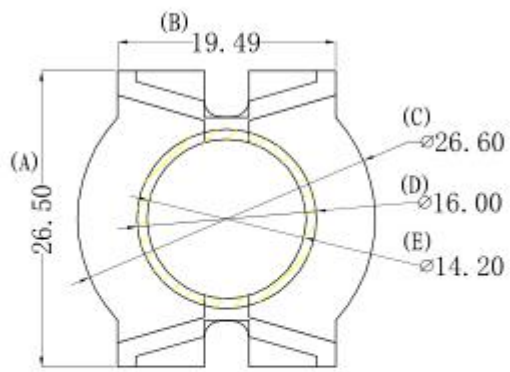
DRAFTED BY	TianXipeng	TOLERANCE		ANGLR: $\pm 1^\circ$	MODEL NAME: PQ-2623V(6+6)PIN		
CHECKED BY	Jack Wang	0 < L ≤ 4 ± 0.1 4 < L ≤ 16 ± 0.2 16 < L ≤ 63 ± 0.3	Pin pitch ± 0.20	UNIT:MM	MATERIAL: PHENOLIC	UL REC: UL 94V-0	
 SHANHOM SHAANXI SHINHOM ENTERPRISE CO.,LTD TEL: 029-87851838 FAX:029-87851840 Email: sales@shinhom.com.cn				SCALE: 1/1	TERMINAL MAT:CP WIRE	PIN TENSION LOAD: 1.0 KGS MIN	
					DATE: 2014.03.28	DRAWING NO:	REV. A


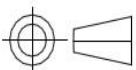


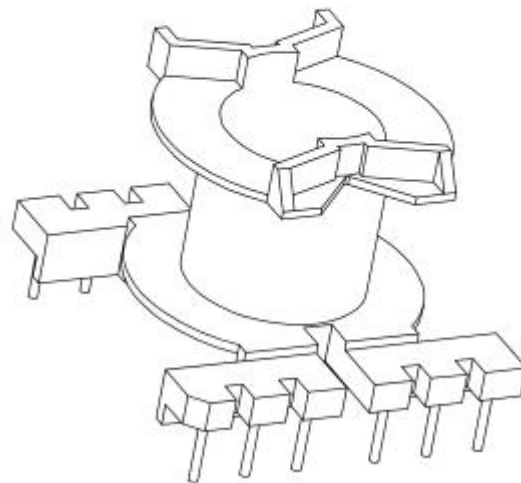
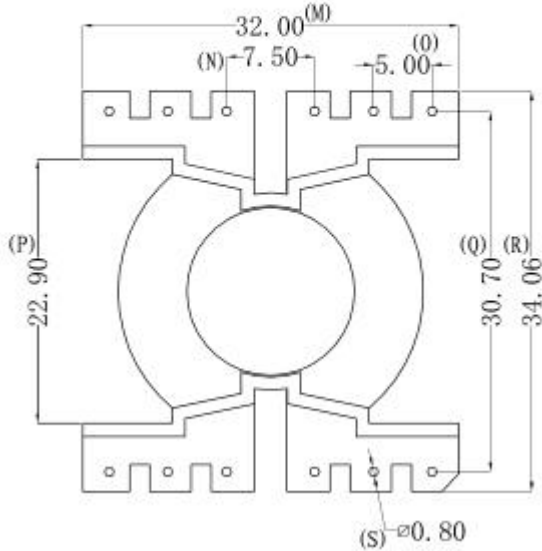
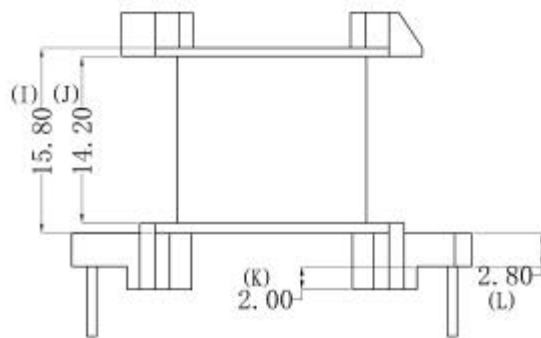
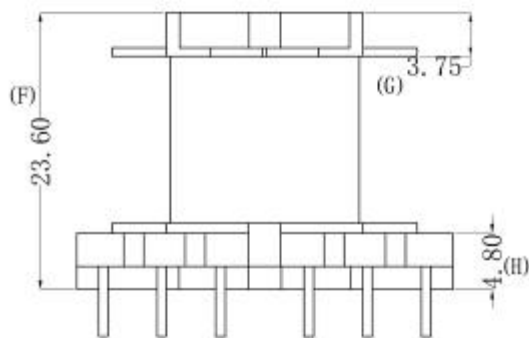
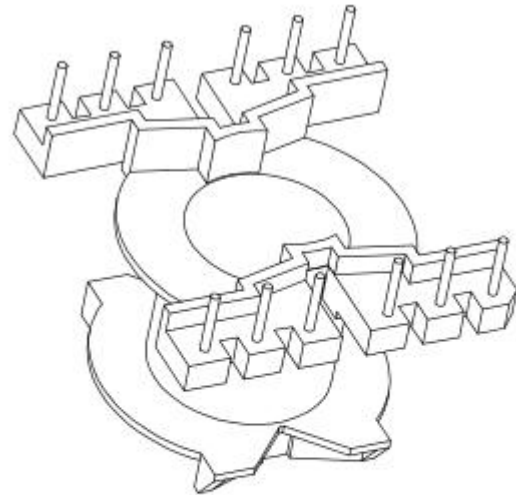
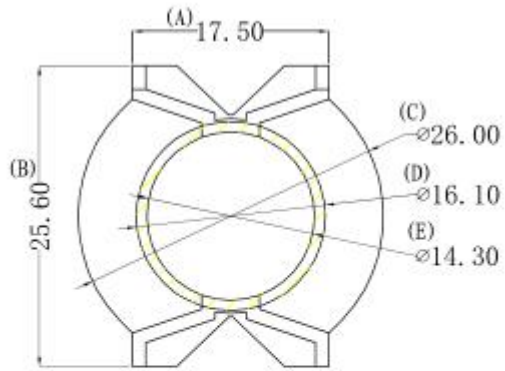
DRAFTED BY	TianXipeng	TOLERANCE		ANGLR: $\pm 1^\circ$	MODEL NAME: PQ-2624 H(5+5)PIN	
CHECKED BY	Jack Wang	0<L≤4 ±0.1 4<L≤16 ±0.2 16<L≤63 ±0.3	Pin pitch ±0.20	UNIT:MM	MATERIAL: PHENOLIC	UL REC: UL 94V-0
 SHAANXI SHINHOM ENTERPRISE CO.,LTD TEL: 029-87851838 FAX:029-87851840 Email: sales@shinhom.com.cn				SCALE: 1/1	TERMINAL MAT:CP WIRE	PIN TENSION LOAD: 1.0 KGS MIN
					DATE: 2019.08.31	DRAWING NO:


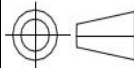


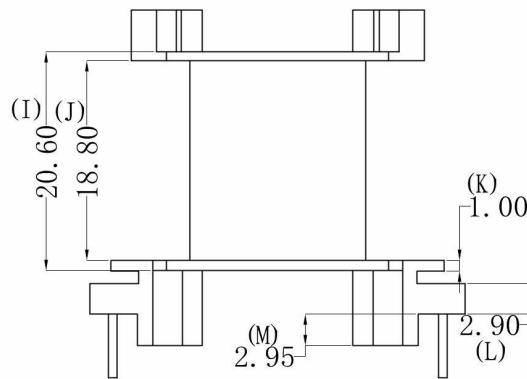
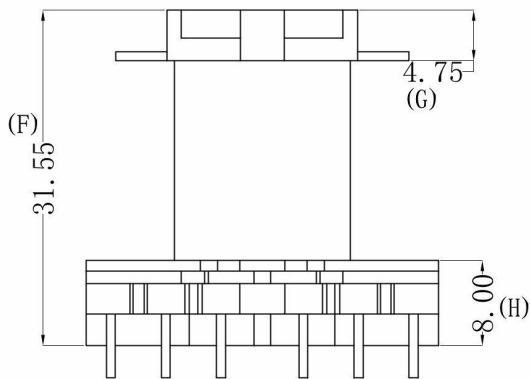
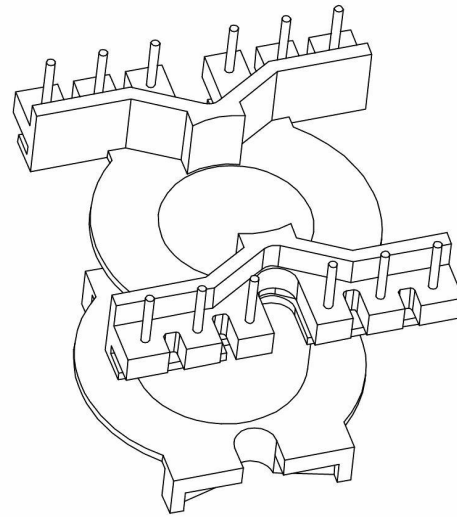
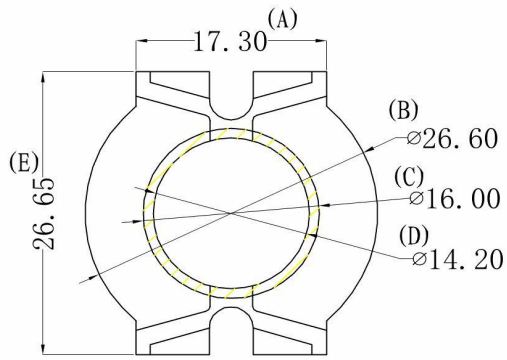
DRAFTED BY	TianXipeng	TOLERANCE		ANGLR: $\pm 1^\circ$	MODEL NAME: PQ-3220V(6+6)PIN	
CHECKED BY	Jack Wang	0<L≤4 ±0.1 4<L≤16 ±0.2 16<L≤63 ±0.3	Pin pitch ±0.20	UNIT:MM	MATERIAL: PHENOLIC	UL REC: UL 94V-0
 SHANHOM SHAANXI SHINHOM ENTERPRISE CO.,LTD TEL: 029-87851838 FAX:029-87851840 Email: sales@shinhom.com.cn				SCALE: 1/1	TERMINAL MAT:CP WIRE	PIN TENSION LOAD: 1.0 KGS MIN
					DATE: 2014.03.28	DRAWING NO:



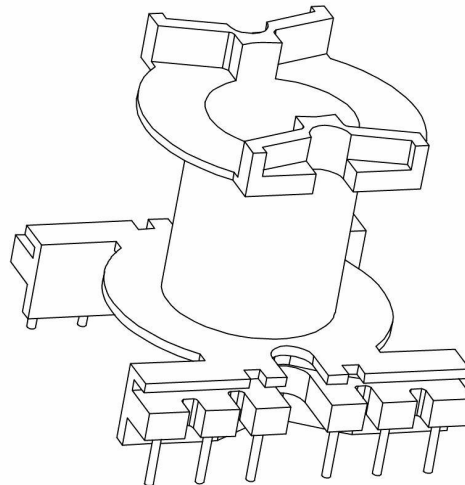
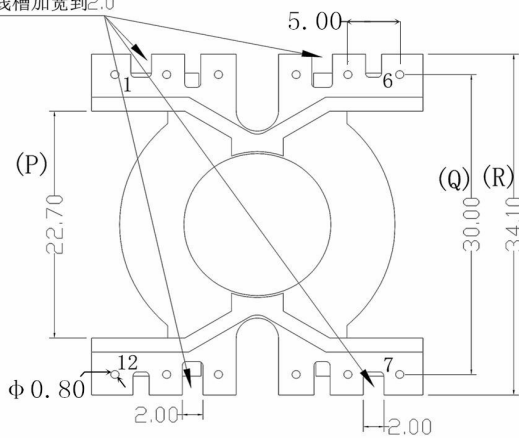
DRAFTED BY	TianXipeng	TOLERANCE		ANGLR: $\pm 1^\circ$	MODEL NAME: PQ-3225V(6+6)PIN	
CHECKED BY	Jack Wang	0<L≤4 ±0.1 4<L≤16 ±0.2 16<L≤63 ±0.3	Pin pitch ±0.20	UNIT:MM	MATERIAL: PHENOLIC	UL REC: UL 94V-0
 SHANHOM SHAANXI SHINHOM ENTERPRISE CO.,LTD TEL: 029-87851838 FAX:029-87851840 Email: sales@shinhom.com.cn				SCALE: 1/1	TERMINAL MAT:CP WIRE	PIN TENSION LOAD: 1.0 KGS MIN
					DATE: 2014.03.28	DRAWING NO:


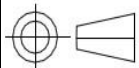


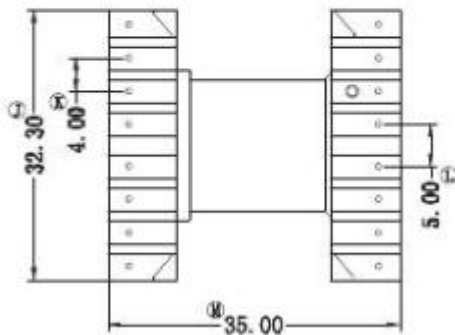
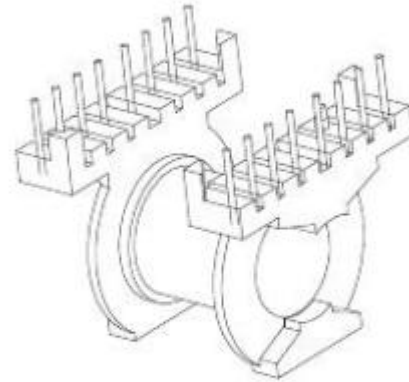
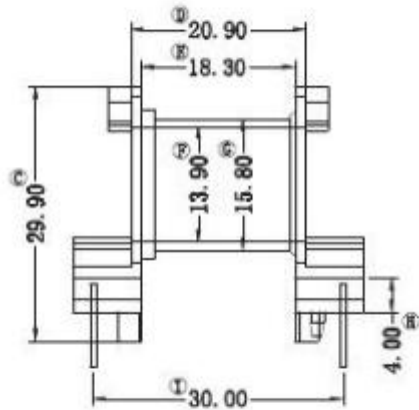
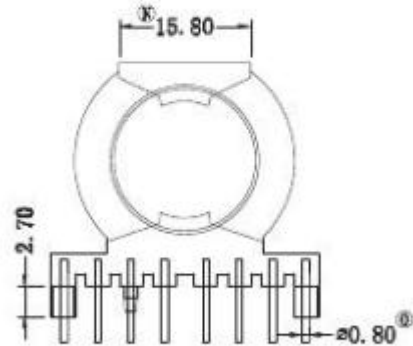
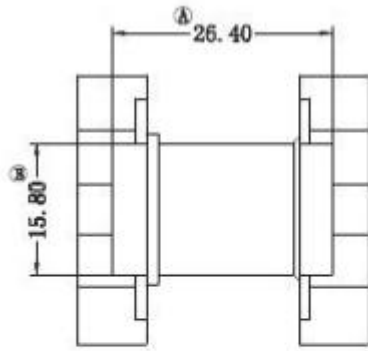
DRAFTED BY	TianXipeng	TOLERANCE		ANGLR: $\pm 1^\circ$	MODEL NAME: PQ-3225-1V(6+6)PIN		
CHECKED BY	Jack Wang	0<L≤4 ±0.1 4<L≤16 ±0.2 16<L≤63 ±0.3	Pin pitch ±0.20	UNIT:MM	MATERIAL: PHENOLIC	UL REC: UL 94V-0	
 SHINHOM	SHAANXI SHINHOM ENTERPRISE CO.,LTD TEL: 029-87851838 FAX:029-87851840 Email: sales@shinhom.com.cn			SCALE: 1/1	TERMINAL MAT:CP WIRE	PIN TENSION LOAD: 1.0 KGS MIN	
					DATE: 2014.03.28	DRAWING NO:	REV. A


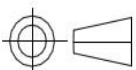


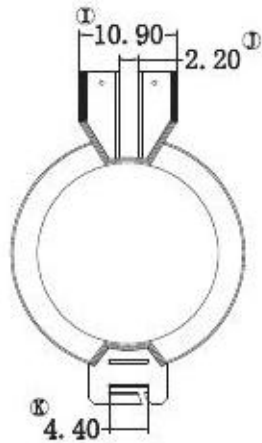
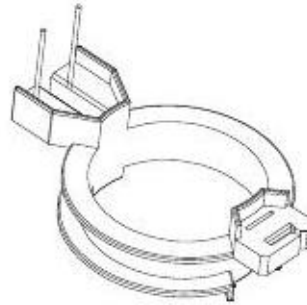
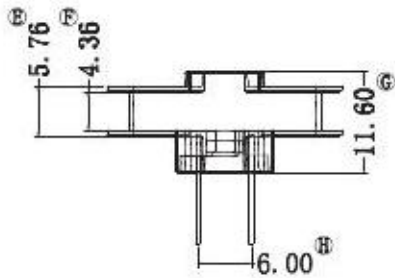
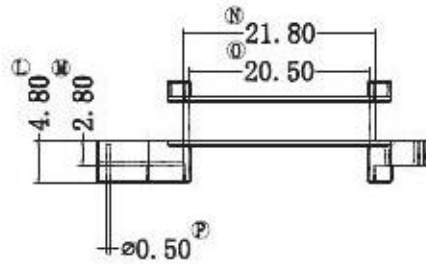
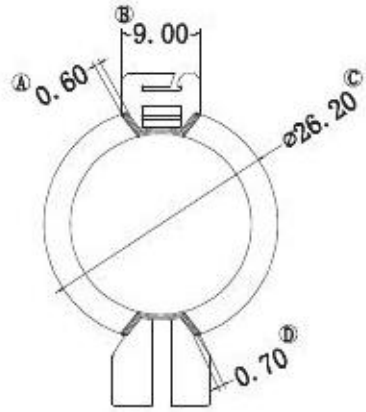
A-1 这4个过线槽加宽到2.0


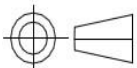


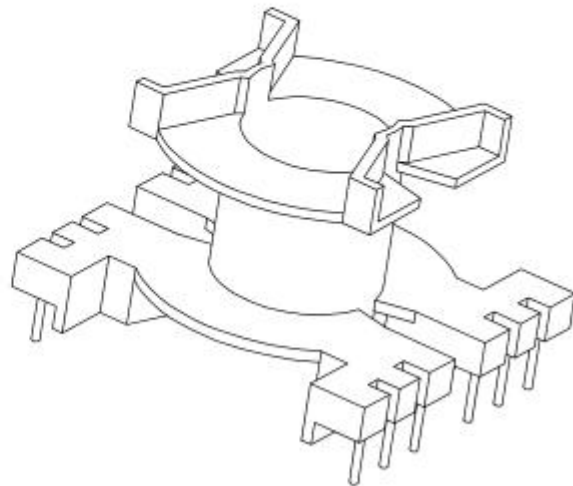
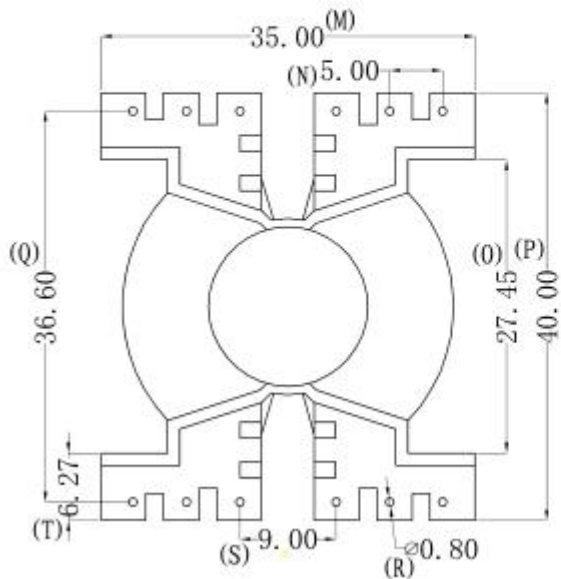
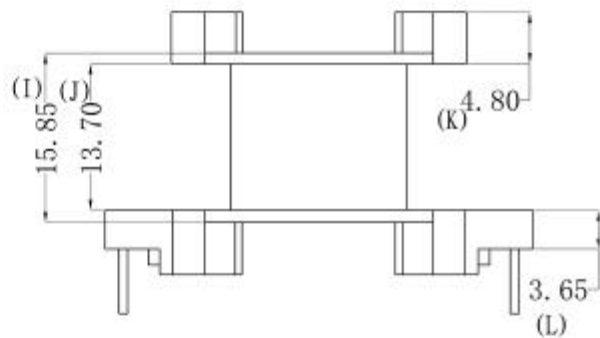
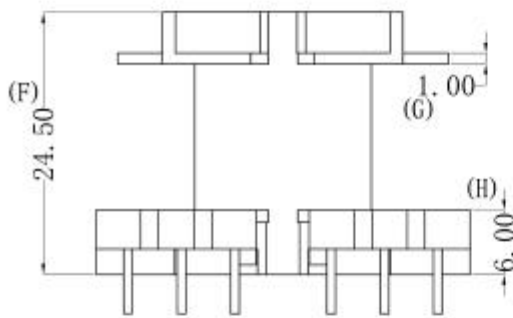
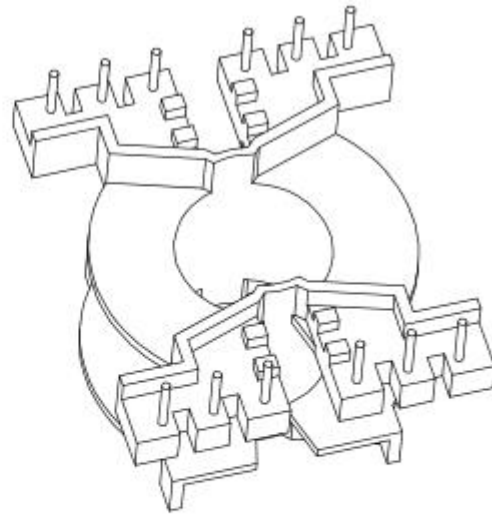
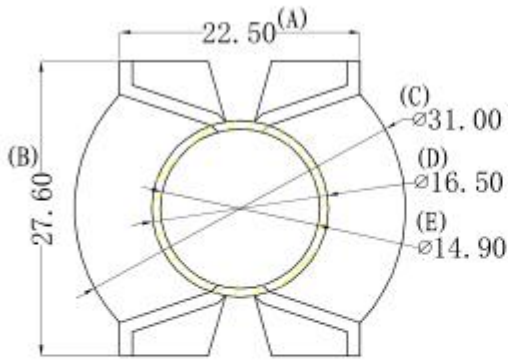
DRAFTED BY	TianXipeng	TOLERANCE		ANGLR: $\pm 1^\circ$	MODEL NAME: PQ-3230V(6+6)PIN	
CHECKED BY	Jack Wang	0<L≤4 ±0.1 4<L≤16 ±0.2 16<L≤63 ±0.3	Pin pitch ±0.20	UNIT:MM	MATERIAL: PHENOLIC	UL REC: UL 94V-0
 SHANHOM SHAANXI SHINHOM ENTERPRISE CO.,LTD TEL: 029-87851838 FAX:029-87851840 Email: sales@shinhom.com.cn				SCALE: 1/1	TERMINAL MAT:CP WIRE	PIN TENSION LOAD: 1.0 KGS MIN
					DATE: 2018.11.30	DRAWING NO:


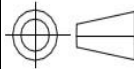


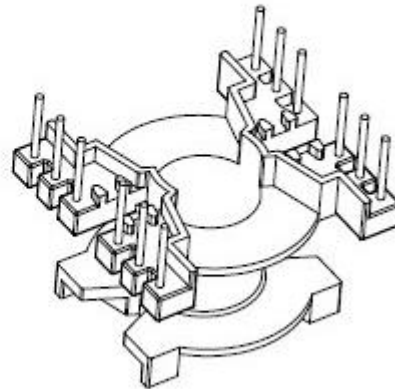
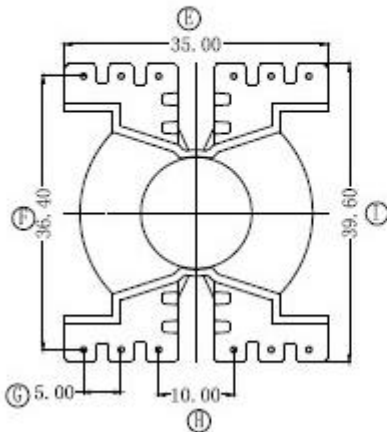
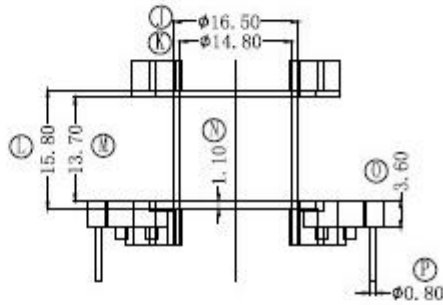
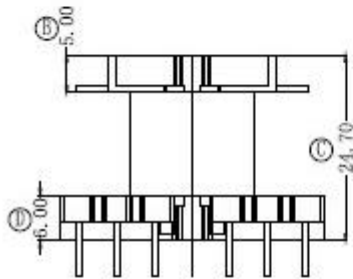
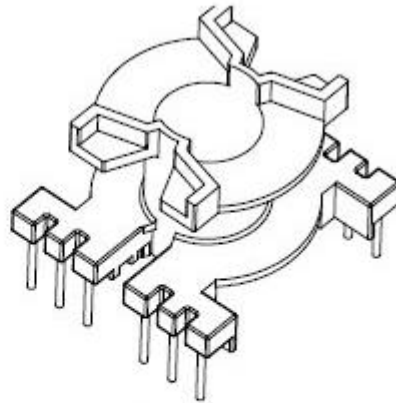
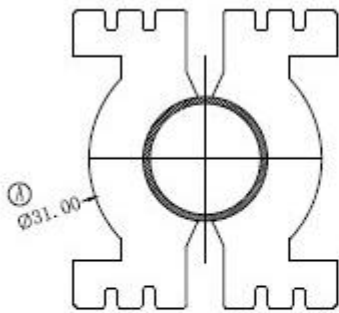
DRAFTED BY	TianXipeng	TOLERANCE		ANGLR: ±1°	MODEL NAME: PQ-3230-1H(8+8)PIN	
CHECKED BY	Jack Wang	0<L≤4 ±0.1 4<L≤16 ±0.2 16<L≤63 ±0.3	Pin pitch ±0.20	UNIT:MM	MATERIAL: PHENOLIC	UL REC: UL 94V-0
 SHANHOM SHAANXI SHINHOM ENTERPRISE CO.,LTD TEL: 029-87851838 FAX:029-87851840 Email: sales@shinhom.com.cn				SCALE: 1/1	TERMINAL MAT:CP WIRE	PIN TENSION LOAD: 1.0 KGS MIN
					DATE: 2014.03.28	DRAWING NO:


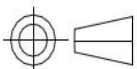


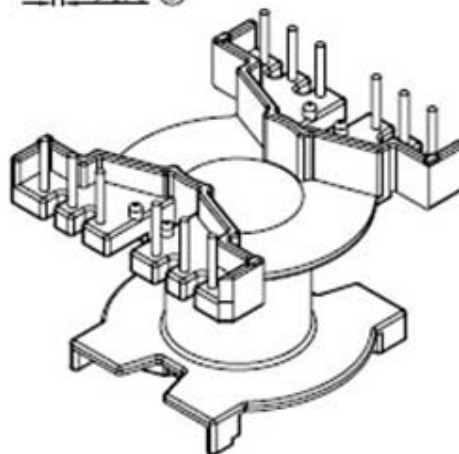
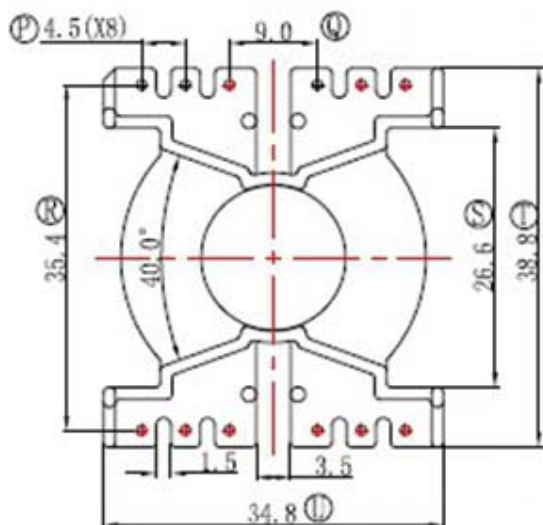
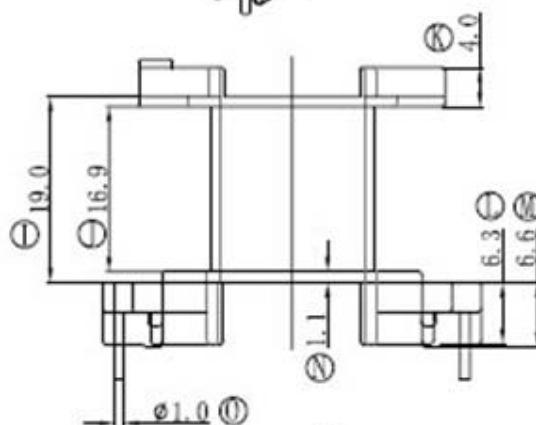
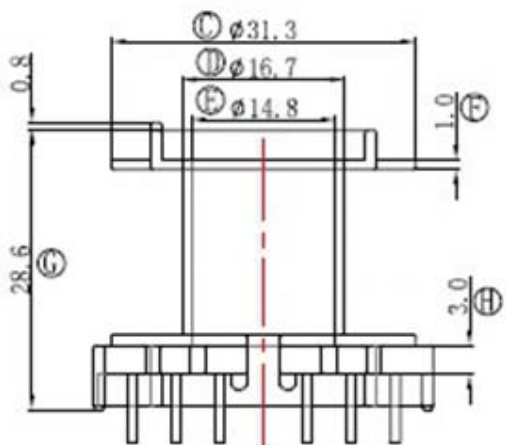
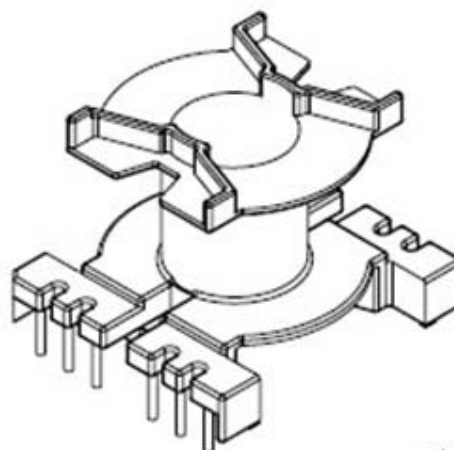
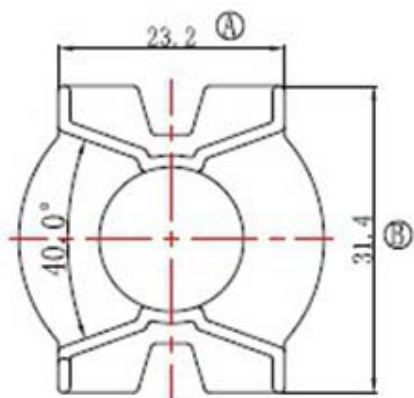
DRAFTED BY	TianXipeng	TOLERANCE		ANGLR: ±1°	MODEL NAME: PQ34 V (2+0)PIN	
CHECKED BY	Jack Wang	0 < L ≤ 4 ±0.1 4 < L ≤ 16 ±0.2 16 < L ≤ 63 ±0.3	Pin pitch ±0.20	UNIT:MM	MATERIAL: PHENOLIC	UL REC: UL 94V-0
 SHAANXI SHINHOM ENTERPRISE CO.,LTD TEL: 029-87851838 FAX:029-87851840 Email: sales@shinhom.com.cn				SCALE: 1/1	TERMINAL MAT:CP WIRE	PIN TENSION LOAD: 1.0 KGS MIN
					DATE: 2018.05	DRAWING NO:


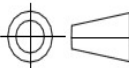


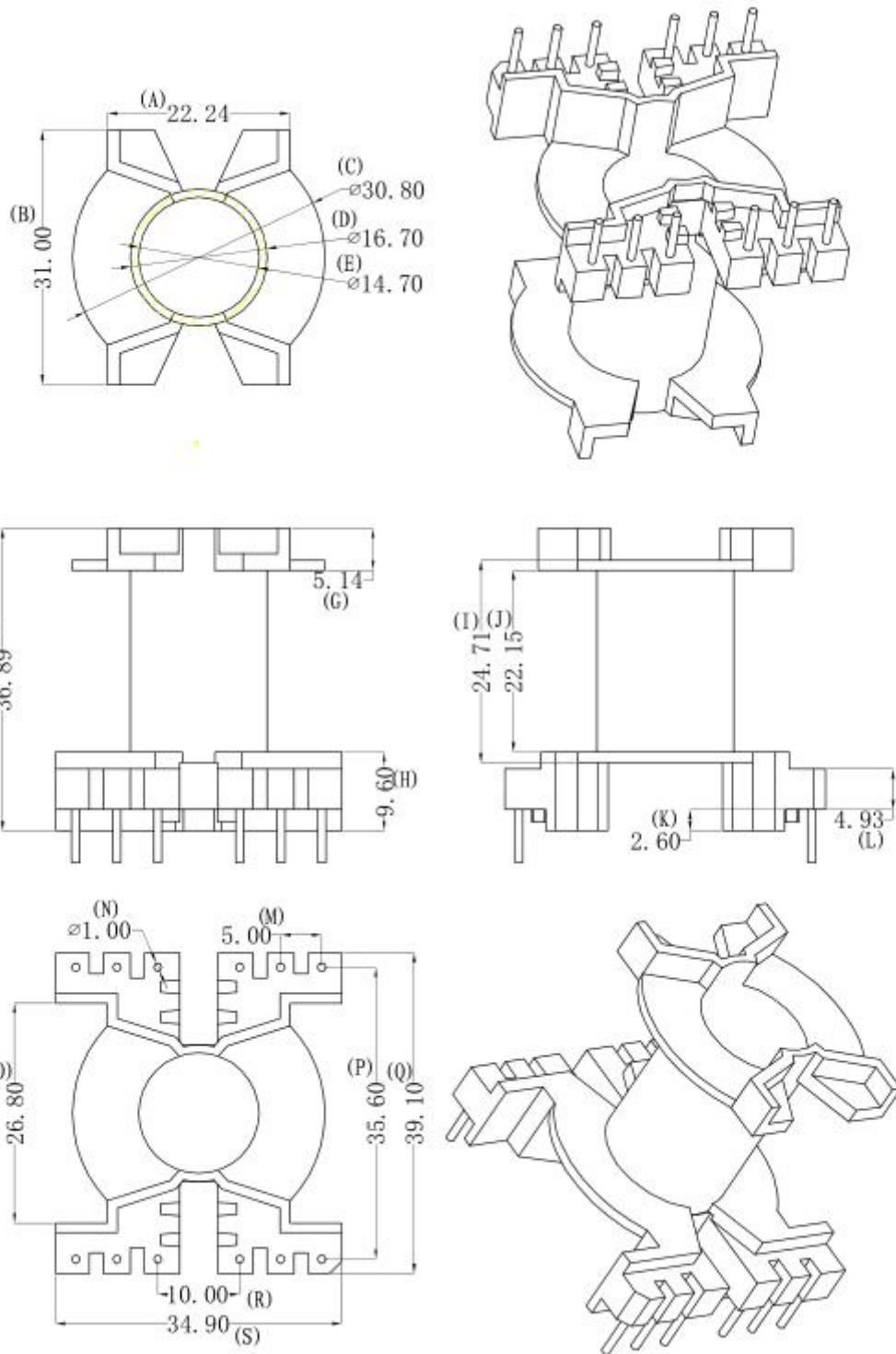
DRAFTED BY	TianXipeng	TOLERANCE		ANGLR: $\pm 1^\circ$	MODEL NAME: PQ-3525V(6+6)PIN	
CHECKED BY	Jack Wang	0<L≤4 ±0.1 4<L≤16 ±0.2 16<L≤63 ±0.3	Pin pitch ±0.20	UNIT:MM	MATERIAL: PHENOLIC	UL REC: UL 94V-0
 SHINHOM	SHAANXI SHINHOM ENTERPRISE CO.,LTD TEL: 029-87851838 FAX:029-87851840 Email: sales@shinhom.com.cn			SCALE: 1/1	TERMINAL MAT:CP WIRE	PIN TENSION LOAD: 1.0 KGS MIN
					DATE: 2014.03.28	DRAWING NO:


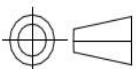


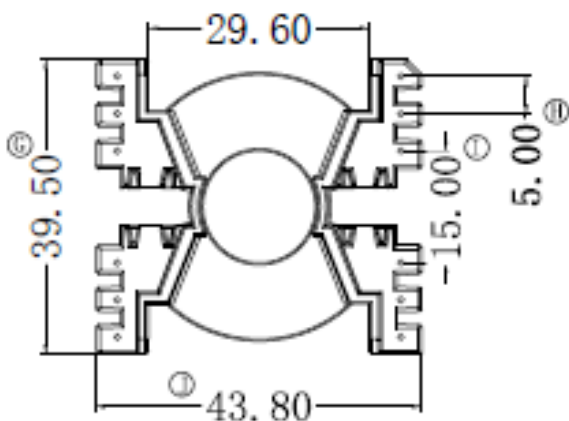
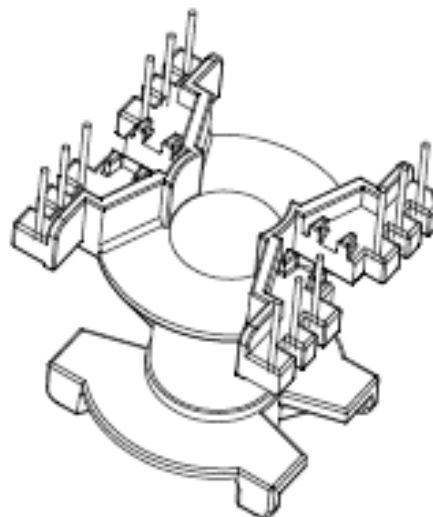
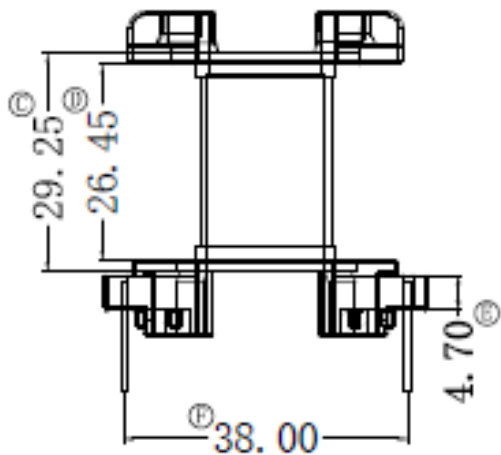
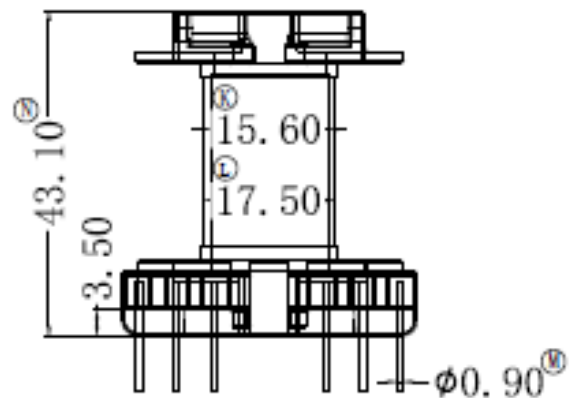
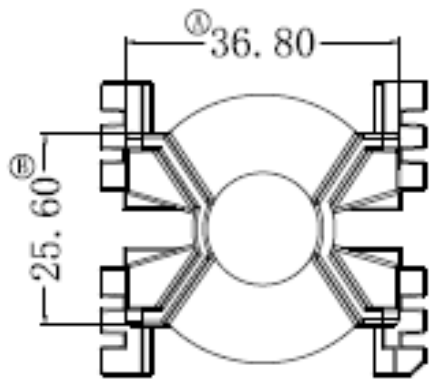
DRAFTED BY	TianXipeng	TOLERANCE		ANGLR: ±1°	MODEL NAME: PQ-3526V(6+6)PIN	
CHECKED BY	Jack Wang	0<L≤4 ±0.1 4<L≤16 ±0.2 16<L≤63 ±0.3	Pin pitch ±0.20	UNIT:MM	MATERIAL: PHENOLIC	UL REC: UL 94V-0
 SHANHOM SHAANXI SHINHOM ENTERPRISE CO.,LTD TEL: 029-87851838 FAX:029-87851840 Email: sales@shinhom.com.cn				SCALE: 1/1	TERMINAL MAT:CP WIRE	PIN TENSION LOAD: 1.0 KGS MIN
					DATE: 2014.03.28	DRAWING NO:


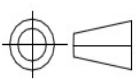


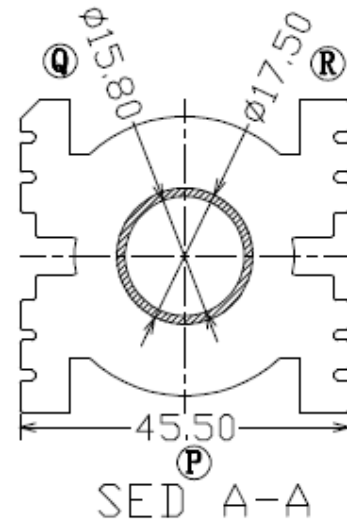
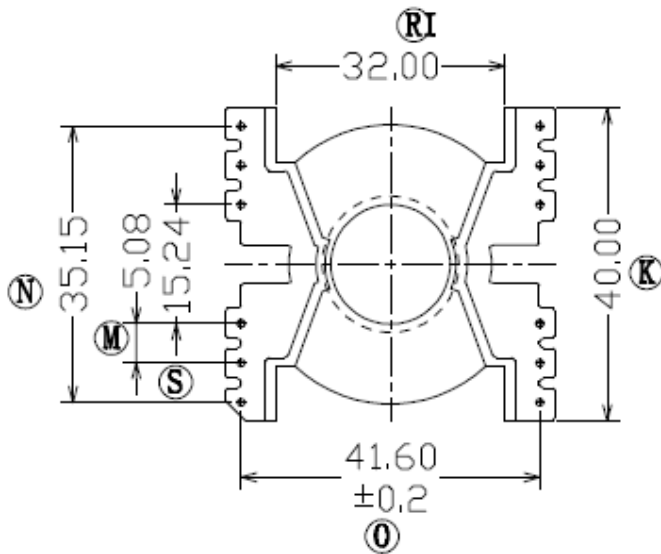
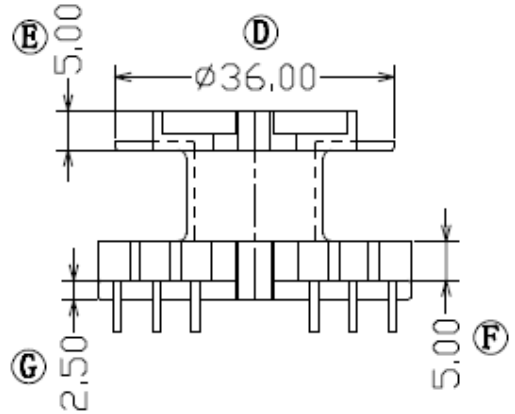
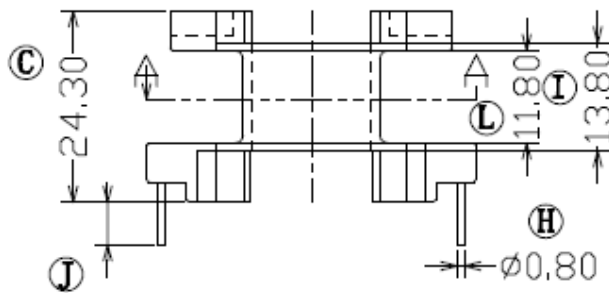
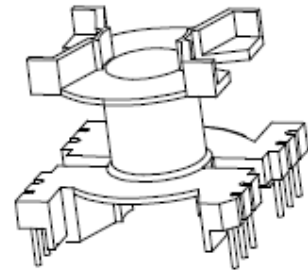
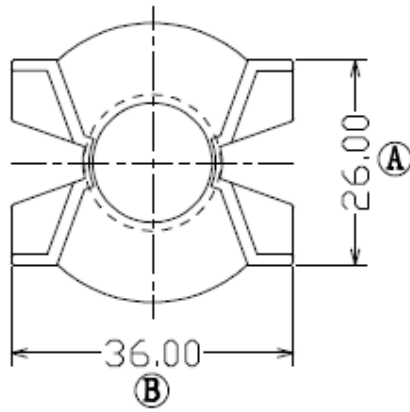
DRAFTED BY	TianXipeng	TOLERANCE		ANGLR: ±1°	MODEL NAME: PQ-3530V(6+6)PIN	
CHECKED BY	Jack Wang	0<L≤4 ±0.1 4<L≤16 ±0.2 16<L≤63 ±0.3	Pin pitch ±0.20	UNIT:MM	MATERIAL: PHENOLIC	UL REC: UL 94V-0
 SHANHOM SHAANXI SHINHOM ENTERPRISE CO.,LTD TEL: 029-87851838 FAX:029-87851840 Email: sales@shinhom.com.cn				SCALE: 1/1	TERMINAL MAT:CP WIRE	PIN TENSION LOAD: 1.0 KGS MIN
					DATE: 2014.03.28	DRAWING NO:


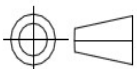


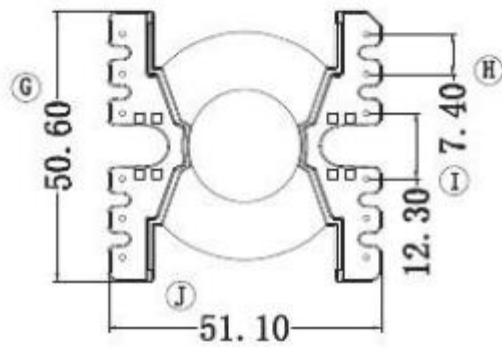
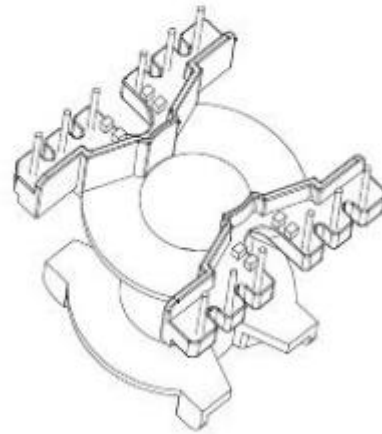
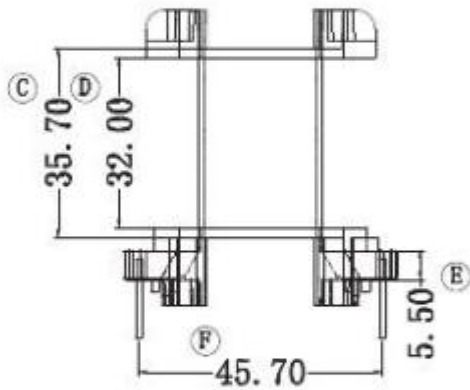
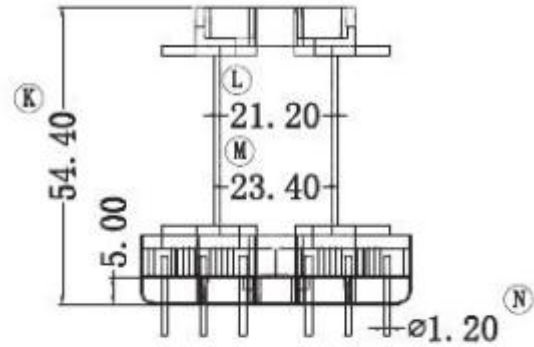
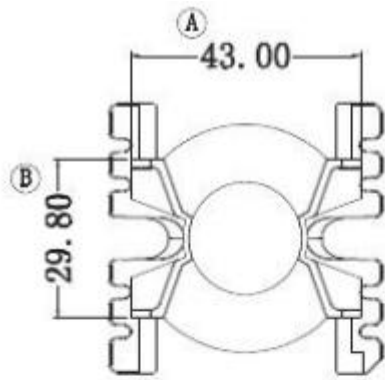
DRAFTED BY	TianXipeng	TOLERANCE		ANGLR: ±1°	MODEL NAME: PQ-3535V(6+6)PIN		
CHECKED BY	Jack Wang	0<L≤4 ±0.1 4<L≤16 ±0.2 16<L≤63 ±0.3	Pin pitch ±0.20	UNIT:MM	MATERIAL: PHENOLIC	UL REC: UL 94V-0	
 SHINHOM	SHAANXI SHINHOM ENTERPRISE CO.,LTD TEL: 029-87851838 FAX:029-87851840 Email: sales@shinhom.com.cn			SCALE: 1/1	TERMINAL MAT:CP WIRE	PIN TENSION LOAD: 1.0 KGS MIN	
						DATE: 2014.03.28	DRAWING NO:


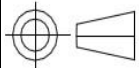


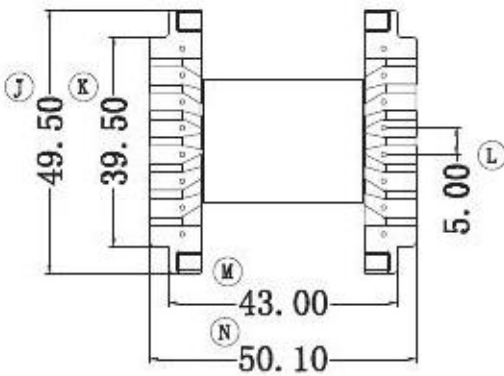
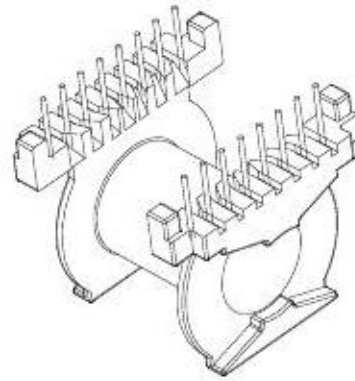
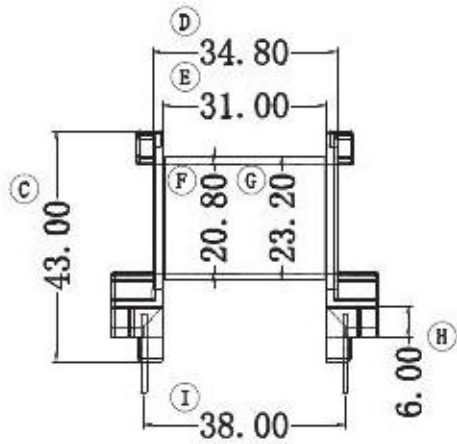
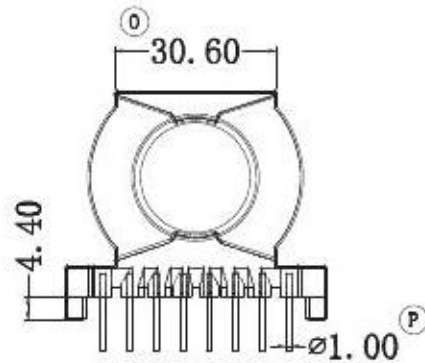
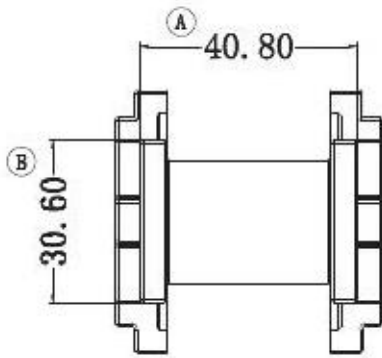
DRAFTED BY	TianXipeng	TOLERANCE		ANGLR: $\pm 1^\circ$	MODEL NAME: PQ-4040V(6+6)PIN	
CHECKED BY	Jack Wang	$0 < L \leq 4 \pm 0.1$ $4 < L \leq 16 \pm 0.2$ $16 < L \leq 63 \pm 0.3$	Pin pitch ± 0.20	UNIT:MM	MATERIAL: PHENOLIC	UL REC: UL 94V-0
 SHANHOM SHAANXI SHINHOM ENTERPRISE CO.,LTD TEL: 029-87851838 FAX:029-87851840 Email: sales@shinhom.com.cn				SCALE: 1/1	TERMINAL MAT:CP WIRE	PIN TENSION LOAD: 1.0 KGS MIN
					DATE: 2014.03.28	DRAWING NO:


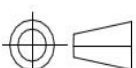


DRAFTED BY	TianXipeng	TOLERANCE		ANGLR: ±1°	MODEL NAME: PQ-4025V(6+6)PIN	
CHECKED BY	Jack Wang	0<L≤4 ±0.1 4<L≤16 ±0.2 16<L≤63 ±0.3	Pin pitch ±0.20	UNIT:MM	MATERIAL: PHENOLIC	UL REC: UL 94V-0
 SHANHOM SHAANXI SHINHOM ENTERPRISE CO.,LTD TEL: 029-87851838 FAX:029-87851840 Email: sales@shinhom.com.cn				SCALE: 1/1	TERMINAL MAT:CP WIRE	PIN TENSION LOAD: 1.0 KGS MIN
					DATE: 2014.03.28	DRAWING NO:



DRAFTED BY	TianXipeng	TOLERANCE		ANGLR: $\pm 1^\circ$	MODEL NAME: PQ-5001V(6+6)PIN	
CHECKED BY	Jack Wang	0<L≤4 ±0.1 4<L≤16 ±0.2 16<L≤63 ±0.3	Pin pitch ±0.20	UNIT:MM	MATERIAL: PHENOLIC	UL REC: UL 94V-0
 SHANHOM SHAANXI SHINHOM ENTERPRISE CO.,LTD TEL: 029-87851838 FAX:029-87851840 Email: sales@shinhom.com.cn				SCALE: 1/1	TERMINAL MAT:CP WIRE	PIN TENSION LOAD: 1.0 KGS MIN
					DATE: 2014.03.28	DRAWING NO:



DRAFTED BY	TianXipeng	TOLERANCE		ANGLR: $\pm 1^\circ$	MODEL NAME: PQ5050 H (8+8)PIN	
CHECKED BY	Jack Wang	0<L≤4 ±0.1 4<L≤16 ±0.2 16<L≤63 ±0.3	Pin pitch ±0.20	UNIT:MM	MATERIAL: PHENOLIC	UL REC: UL 94V-0
 SHANHOM ENTERPRISE CO.,LTD TEL: 029-87851838 FAX:029-87851840 Email: sales@shinhom.com.cn				SCALE: 1/1	TERMINAL MAT:CP WIRE	PIN TENSION LOAD: 1.0 KGS MIN
					DATE: 2015.09.30	DRAWING NO: