
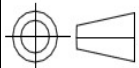
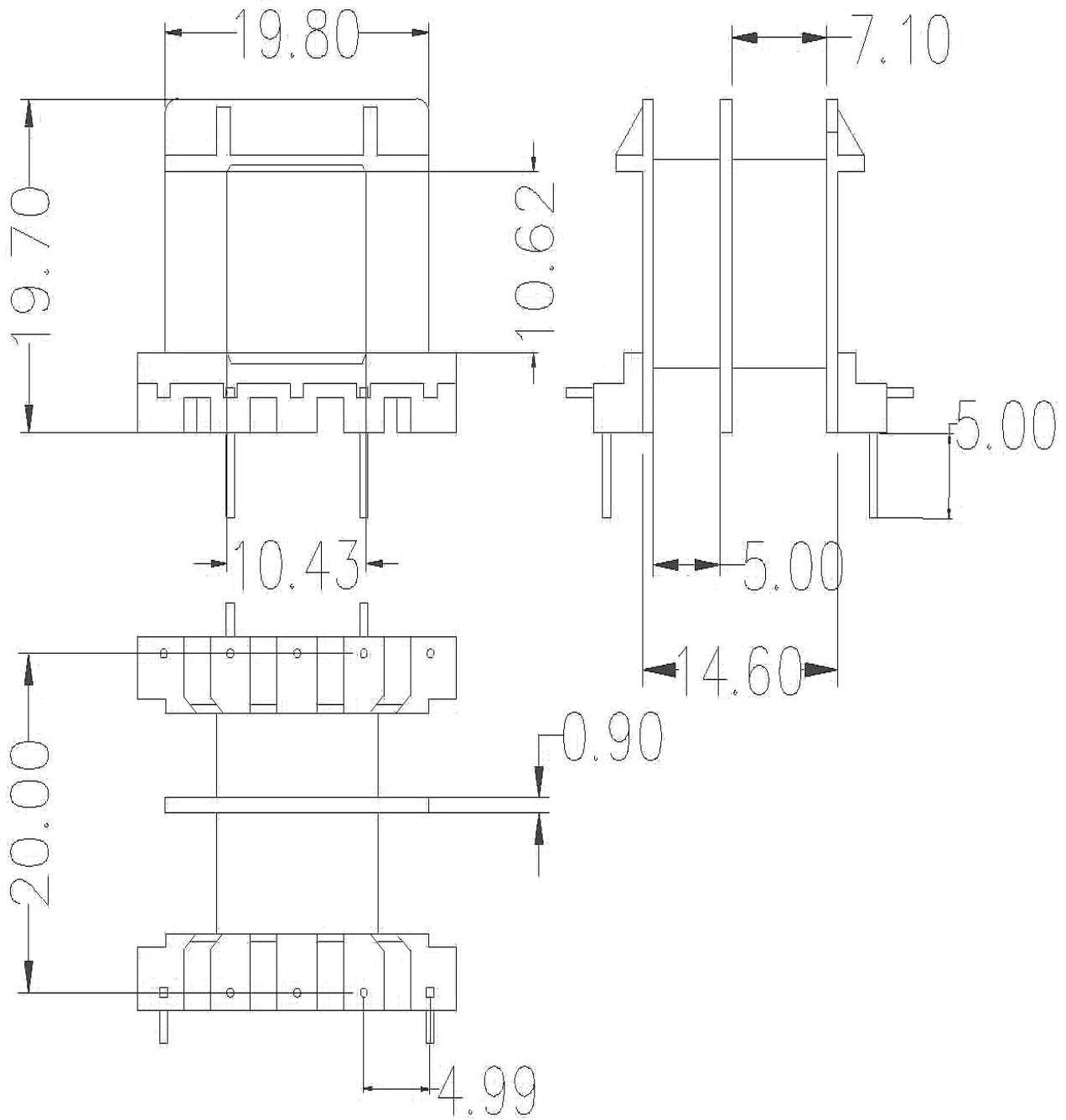

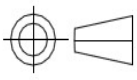
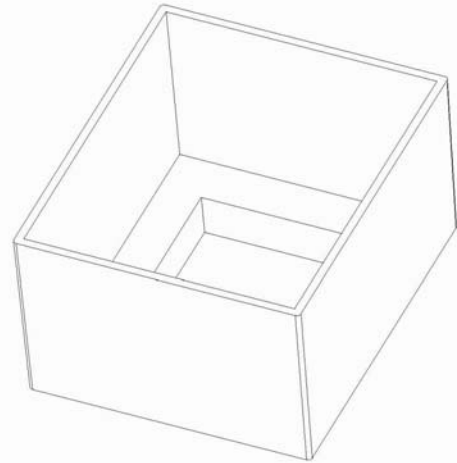
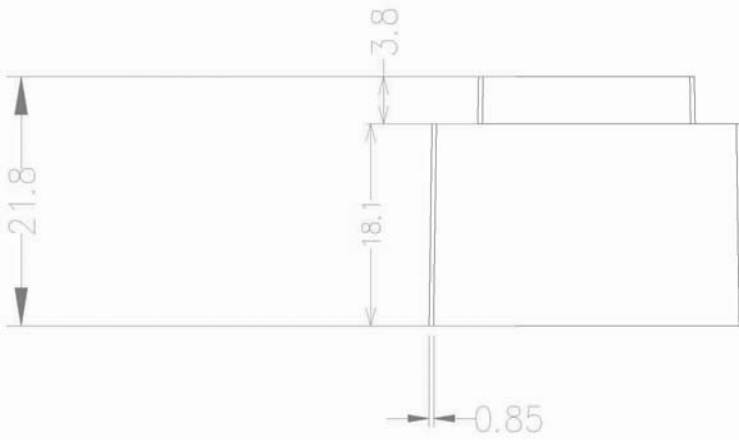
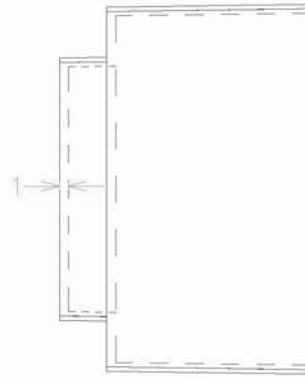
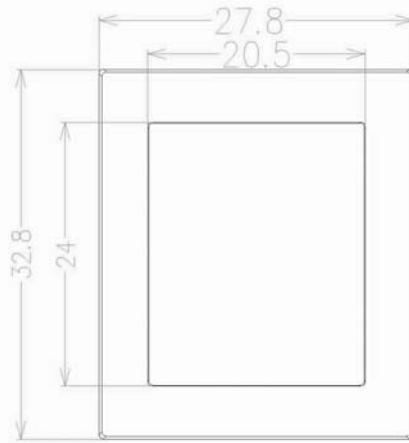
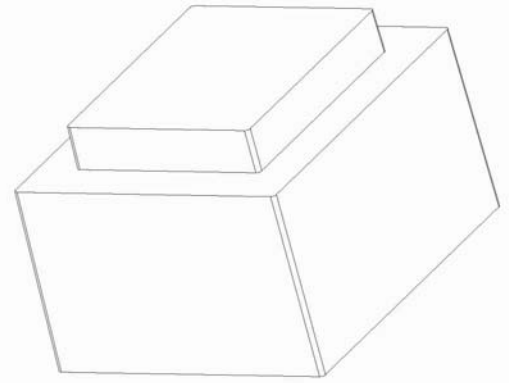
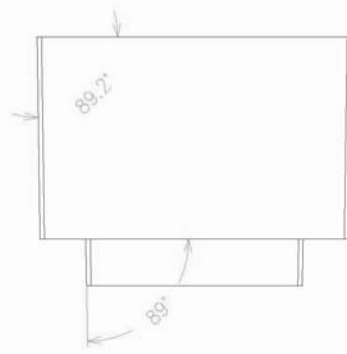

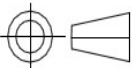


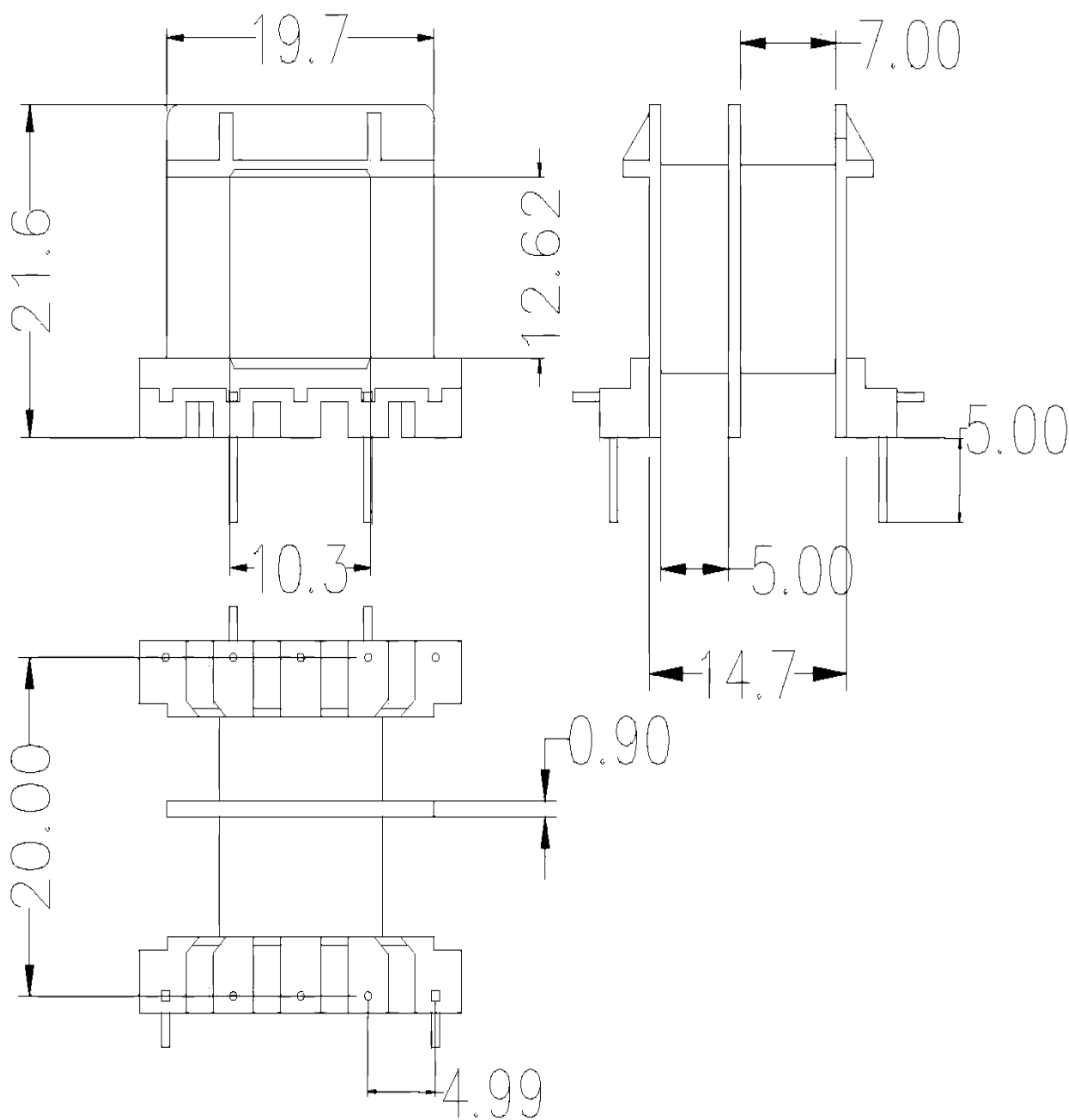
DRAFTED BY	TianXipeng	TOLERANCE		ANGLR: ±1°	MODEL NAME: EE-30H (5+5) PIN	
CHECKED BY	Jack Wang	0<L≤4 ±0.1 4<L≤16 ±0.2 16<L≤63 ±0.3	Pin pitch ±0.20	UNIT:MM	MATERIAL: PET/PA66	UL REC: UL 94V-0
 SHANHOM SHAANXI SHINHOM ENTERPRISE CO.,LTD TEL: 029-87851838 FAX:029-87851840 Email: sales@shinhom.com.cn				SCALE: 1/1	TERMINAL MAT:CP WIRE	PIN TENSION LOAD: 1.0 KGS MIN
					DATE: 2009.05.15	DRAWING NO:


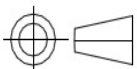


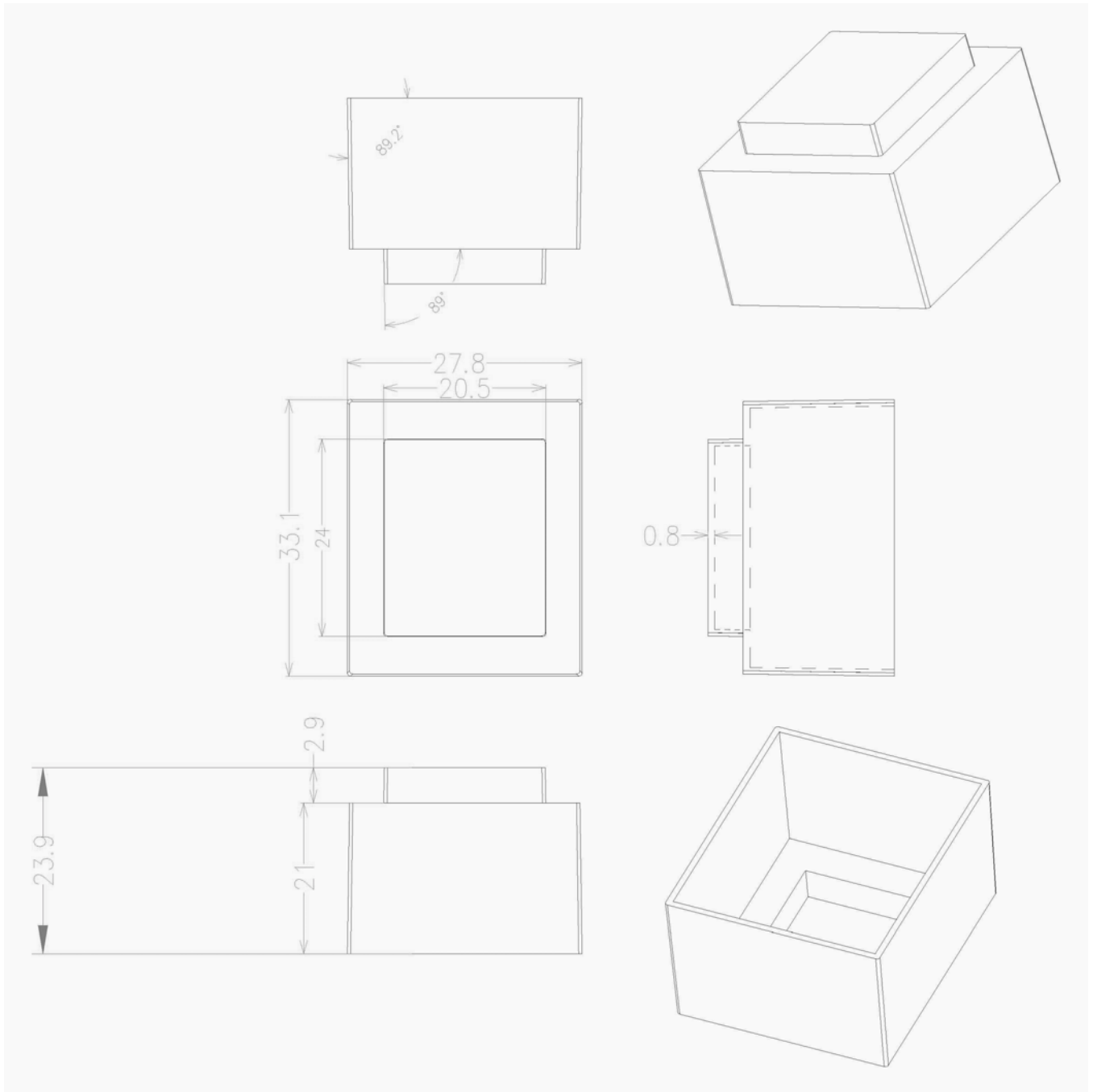
DRAFTED BY	TianXipeng	TOLERANCE		ANGLR: ±1°	MODEL NAME: EI-30/10.5	
CHECKED BY	Jack Wang	0<L≤4 ±0.1	Pin pitch ±0.20	UNIT:MM	MATERIAL: PBT	UL REC: UL 94V-0
 SHANHOM SHAANXI SHINHOM ENTERPRISE CO.,LTD TEL: 029-87851838 FAX:029-87851840 Email: sales@shinhom.com.cn		4<L≤16 ±0.2		SCALE: 1/1	TERMINAL MAT:CP WIRE	PIN TENSION LOAD: 1.0 KGS MIN
		16<L≤63 ±0.3			DATE: 2019.03.28	DRAWING NO:


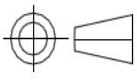


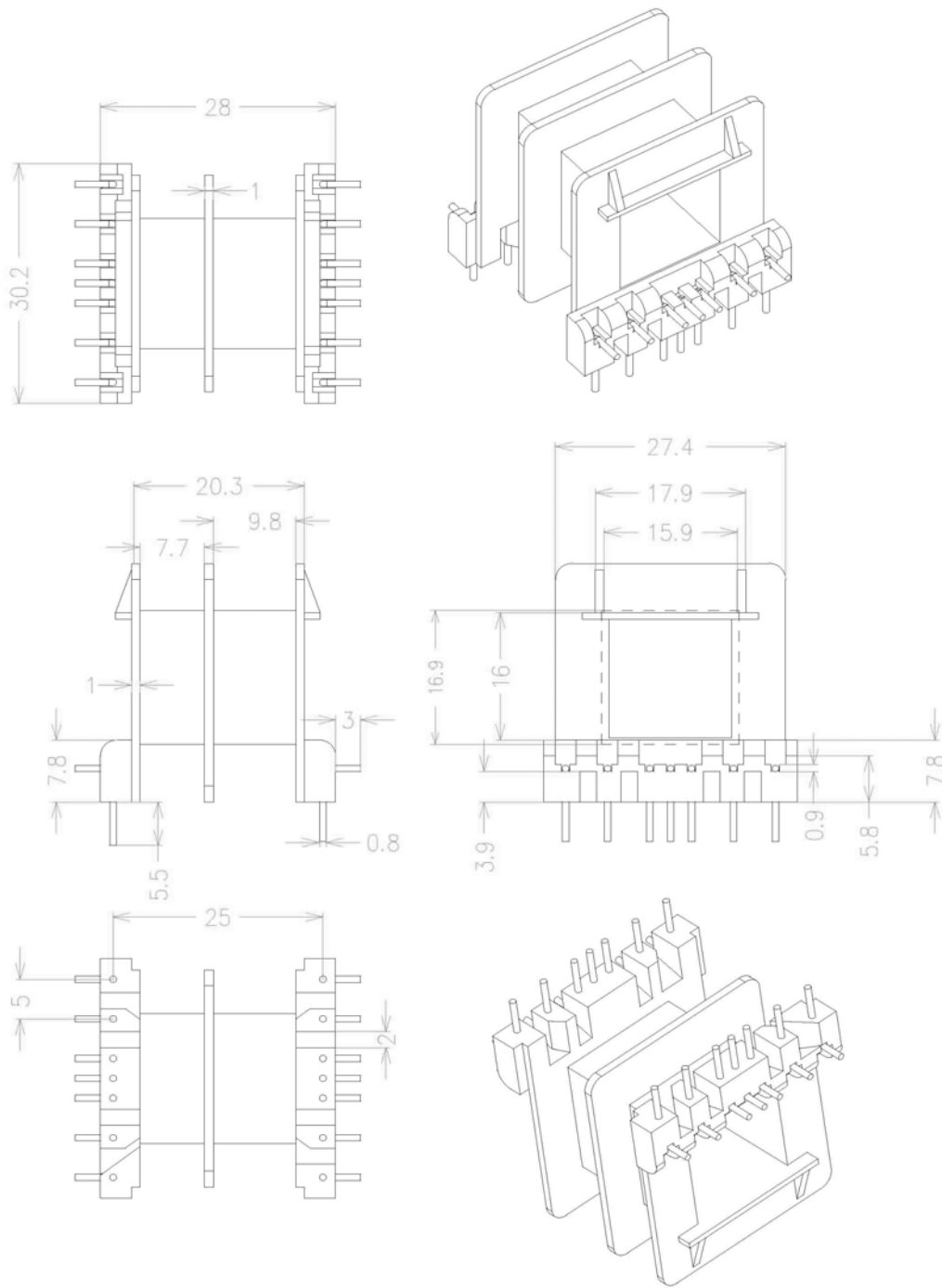
DRAFTED BY	TianXipeng	TOLERANCE		ANGLR: ±1°	MODEL NAME: EI-30/10.5 cover	
CHECKED BY	Jack Wang	0<L≤4 ±0.1 4<L≤16 ±0.2 16<L≤63 ±0.3	Pin pitch ±0.20	UNIT:MM	MATERIAL: nylon	UL REC: UL 94V-0
 SHANHOM SHAANXI SHINHOM ENTERPRISE CO.,LTD TEL: 029-87851838 FAX:029-87851840 Email: sales@shinhom.com.cn				SCALE: 1/1	TERMINAL MAT:CP WIRE	PIN TENSION LOAD: 1.0 KGS MIN
					DATE: 2019.03.28	DRAWING NO:


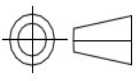


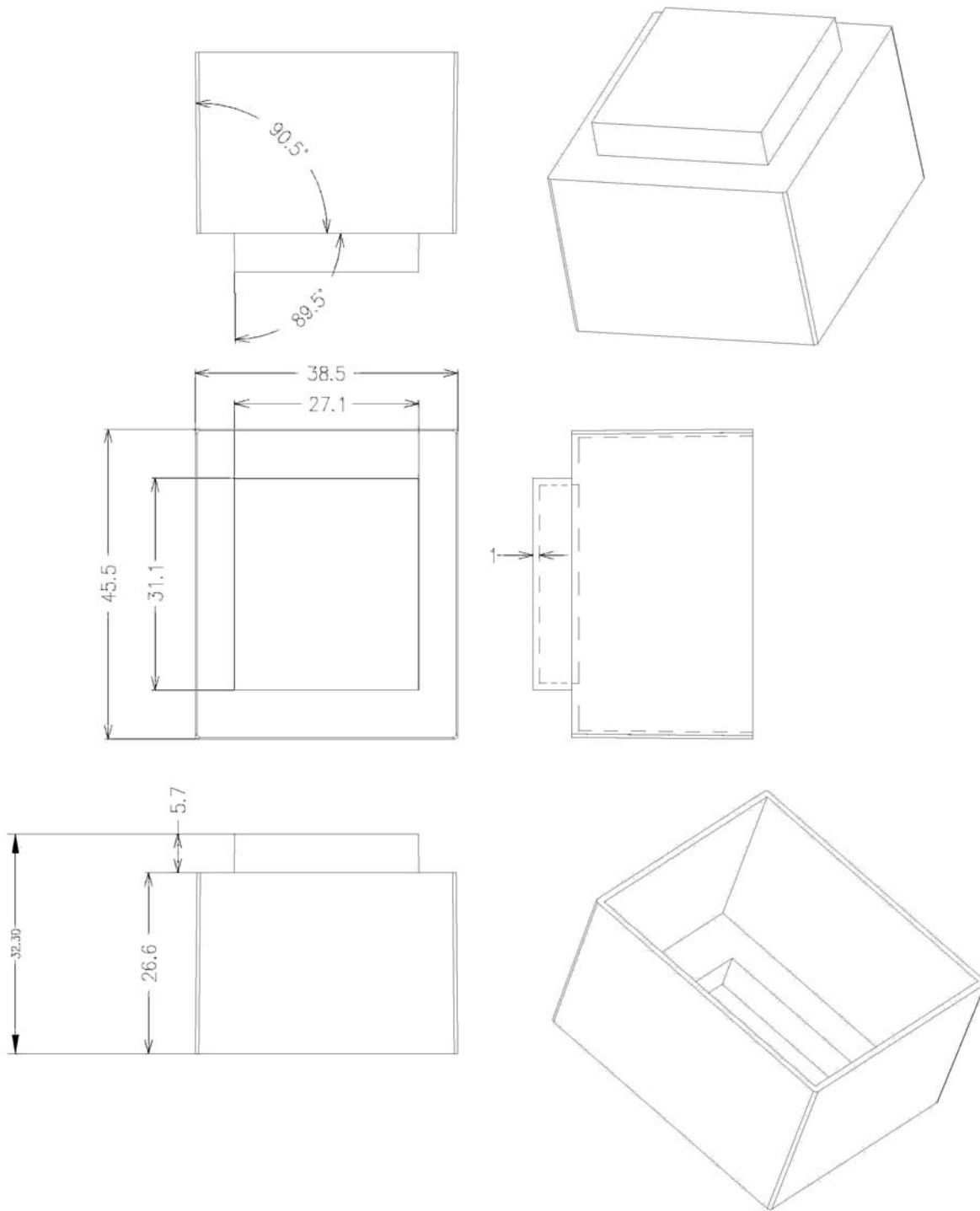
DRAFTED BY	TianXipeng	TOLERANCE		ANGLR: ±1°	MODEL NAME: EI-30/12.5	
CHECKED BY	Jack Wang	0<L≤4 ±0.1 4<L≤16 ±0.2 16<L≤63 ±0.3	Pin pitch ±0.20	UNIT:MM	MATERIAL: PBT	UL REC: UL 94V-0
 SHANHOM SHAANXI SHINHOM ENTERPRISE CO.,LTD TEL: 029-87851838 FAX:029-87851840 Email: sales@shinhom.com.cn				SCALE: 1/1	TERMINAL MAT:CP WIRE	PIN TENSION LOAD: 1.0 KGS MIN
					DATE: 2019.03.28	DRAWING NO:


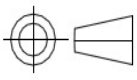


DRAFTED BY	TianXipeng	TOLERANCE		ANGLR: ±1°	MODEL NAME: EI-30/10.5 cover		
CHECKED BY	Jack Wang	0<L≤4 ±0.1 4<L≤16 ±0.2 16<L≤63 ±0.3	Pin pitch ±0.20	UNIT:MM	MATERIAL: nylon	UL REC: UL 94V-0	
 SHANHOM SHAANXI SHINHOM ENTERPRISE CO.,LTD TEL: 029-87851838 FAX:029-87851840 Email: sales@shinhom.com.cn				SCALE: 1/1	TERMINAL MAT:CP WIRE	PIN TENSION LOAD: 1.0 KGS MIN	
					DATE: 2019.03.28	DRAWING NO:	REV. A



DRAFTED BY	TianXipeng	TOLERANCE		ANGLR: ±1°	MODEL NAME: EI-42/14.8	
CHECKED BY	Jack Wang	0<L≤4 ±0.1 4<L≤16 ±0.2 16<L≤63 ±0.3	Pin pitch ±0.20	UNIT:MM	MATERIAL: PBT	UL REC: UL 94V-0
 SHANHOM SHAANXI SHINHOM ENTERPRISE CO.,LTD TEL: 029-87851838 FAX:029-87851840 Email: sales@shinhom.com.cn				SCALE: 1/1	TERMINAL MAT:CP WIRE	PIN TENSION LOAD: 1.0 KGS MIN
					DATE: 2019.03.28	DRAWING NO:



DRAFTED BY	TianXipeng	TOLERANCE		ANGLR: ±1°	MODEL NAME: EI-42/14.8 cover	
CHECKED BY	Jack Wang	0<L≤4 ±0.1 4<L≤16 ±0.2 16<L≤63 ±0.3	Pin pitch ±0.20	UNIT:MM	MATERIAL: nylon	UL REC: UL 94V-0
 SHANHOM SHAANXI SHINHOM ENTERPRISE CO.,LTD TEL: 029-87851838 FAX:029-87851840 Email: sales@shinhom.com.cn				SCALE: 1/1	TERMINAL MAT:CP WIRE	PIN TENSION LOAD: 1.0 KGS MIN
					DATE: 2019.03.28	DRAWING NO: