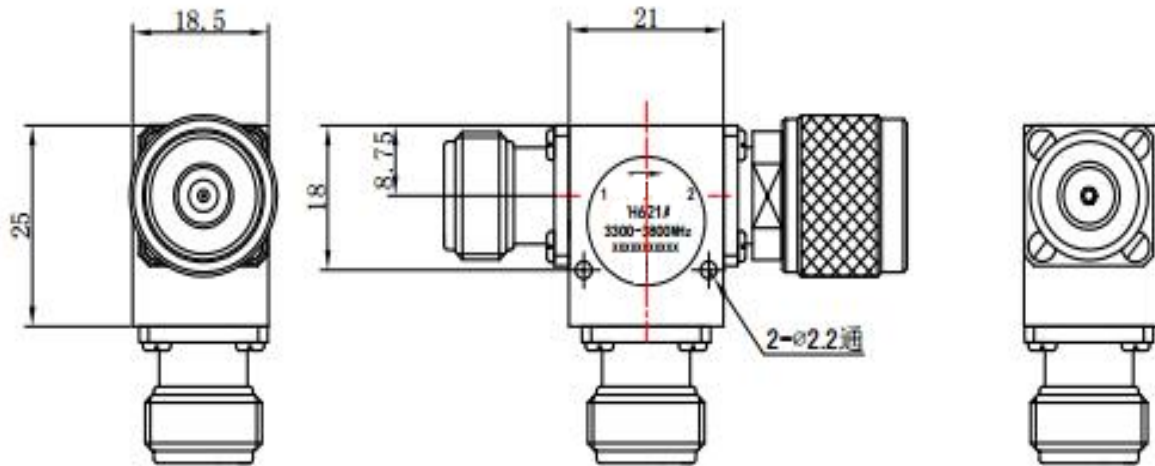


1.Features

UMTS, LTE Band

Wide Operation Temperature Range -40 ~ +80°C

2.Dimensions Unit:mm



3.Specifications

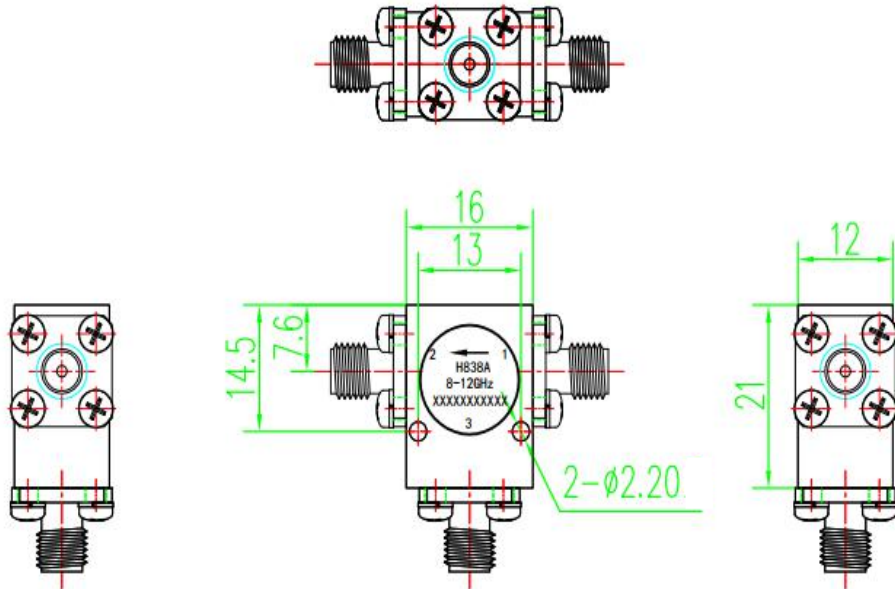
Part No.	Frequency (GHz)		Center Frequency	Bandwidth	Isolation	INS LOSS	VSWR	Power	IMD (@2X43dBm)
	F1	F2	(GHz)	(GHz)	(dB) MIN	(dB) MAX	MAX	(W)	(-dBc) MAX
H621AZ[1800-2200MHz]	1.800	2.200	2.0000	0.400	20	0.35	1.25	100	
H621AZ[2400-2700MHz]	2.400	2.700	2.5500	0.300	20	0.35	1.25	100	
H621AZ[3300-3800MHz]	3.300	3.800	3.5500	0.500	20	0.35	1.25	100	
H621AZ[4400-5000MHz]	4.400	5.000	4.7000	0.600	20	0.35	1.25	100	
H621AZ[5000-6000MHz]	5.000	6.000	5.5000	1.000	20	0.35	1.25	100	

1.Features

UMTS, LTE Band

Wide Operation Temperature Range -40 ~ +85°C

2.Dimensions Unit:mm



3.Specifications

Part No.	Frequency (GHz)		Center Frequency	Bandwidth	Isolation	INS LOSS	VSWR	Power	IMD
	F1	F2	(GHz)	(GHz)	(dB) MIN	(dB) MAX	MAX	(W)	(@2X43dBm (-dBc) MAX
H838AZ[5.6-6.5GHz]	5.600	6.500	6.0500	0.900	20	0.3	1.25	10	
H838AZ[6.4-7.2GHz]	6.400	7.200	6.8000	0.800	20	0.3	1.25	10	
H838AZ[7.1-7.9GHz]	7.100	7.900	7.5000	0.800	20	0.3	1.25	10	
H838AZ[7.7-8.5GHz]	7.700	8.500	8.1000	0.800	20	0.3	1.25	10	
H838AZ[8-12GHz]	8.000	12.000	10.0000	4.000	20	0.4	1.25	10	
H838AZ[10-15GHz]	10.000	15.000	12.5000	5.000	20	0.4	1.25	10	

Coaxial Line Circulator

A circulator is a multiport device that transmits incident waves entering one of its ports to the next port in a sequence of directions determined by a static bias magnetic field. A circulator is a non-reversible device with several ends. The torus can be divided into coaxial torus and embedded circulators.



FEATURE APPLICATION

Broad Band	Wireless
High Power	Radar
Low Loss	Laboratory Tests

ELECTRICAL CHARACTERISTICS:

Model	Freq (GHz)	Bandwidth (MHz,max.)	Insertion Loss (dB,max.)	Isolation (dB,min.)	VSWR (dB,min.)	Average Power(W,max)	Connector	Temp (°C)	Dimensions (mm)
H6060H	0.02-0.4	175	2	18	1.3	100	SMA,N	-20 - +60	60*60*25.5
H6466H	0.02-0.4	175	2	18	1.3	100	SMA,N	-20 - +70	64*66*22
H6466E	0.13-0.19	30	0.6	10	1.3	500	SMA,N	-20 - +70	64*66*22
H8080E	0.15-0.89	80	0.6	19	1.25	1000	7/16DIN	-30 - +75	80*80*34
H5258E	0.16-0.33	70	0.7	18	1.3	400	SMA,N	-30 - +70	52*57.5*22
H4550X	0.3-1.1	300	0.6	18	1.3	400	SMA,N	-30 - +70	45*49*18
H3538X	0.3-1.85	500	0.7	18	1.35	300	SMA,N	-30 - +70	35*38*15
H3033X	0.7-3	600	0.6	15	1.45	200	SMA	-30 - +70	30*33*15
H3232X	0.7-3	600	0.6	15	1.45	200	SMA,N	-30 - +70	32*32*15
H3434E	0.7-3	600	0.6	15	1.45	200	SMA,N	-30 - +70	34*34*22
H2528B	0.8-4	400	0.4	20	1.25	200	SMA,N	-30 - +70	25.4*28.5*15
H6466K	0.95-2	1050	0.65	16	1.4	100	SMA,N	-10 - +60	64*66*26
H2025B	1.3-4	400	0.4	20	1.25	100	SMA	-30 - +70	20*25.4*15
H5050A	1.5-3	1500	0.7	17	1.4	100	SMA,N	0 - +60	50.8*49.5*19
H2025X	2.4-2.483	83	0.3	25	1.2	100	SMA	-20 - +85	20*25.4*14
H2528C	2.7-6.2	3500	0.8	16	1.4	150	SMA,N	0 - +60	25.4*28*14
H3234A	2-4	2000	0.6	18	1.3	100	SMA,N	0 - +60	32*34*21
H1523C	3.6-7.2	1400	0.5	18	1.35	60	SMA	-10 - +60	15*22.5*13.8
H2123B	4-8	4000	0.6	18	1.35	50	SMA,N	-10 - +60	21*22.5*15
H1623C	5.725-5.85	125	0.3	23	1.2	100	SMA	-20 - +80	16*23*13
H1620B	6-18	12000	1.5	10	1.9	30	SMA	0 - +60	16*20.3*14
H1319C	7-12.7	4000	0.5	18	1.3	30	SMA	-10 - +60	13*19*12.7
H1622B	8-18	10000	1.4	12	1.6	30	SMA	0 - +60	16*21.5*14
H1220C	9-16.5	2200	0.5	19	1.3	30	SMA	-10 - +60	12*20*13
H1519A	18-26.5	8500	0.8	16	1.4	5	2.92mm	-30 - +70	15*19*13
H1215A	26.5-40	13500	1.3	12	1.7	3	2.92mm	-30 - +70	12*15*12

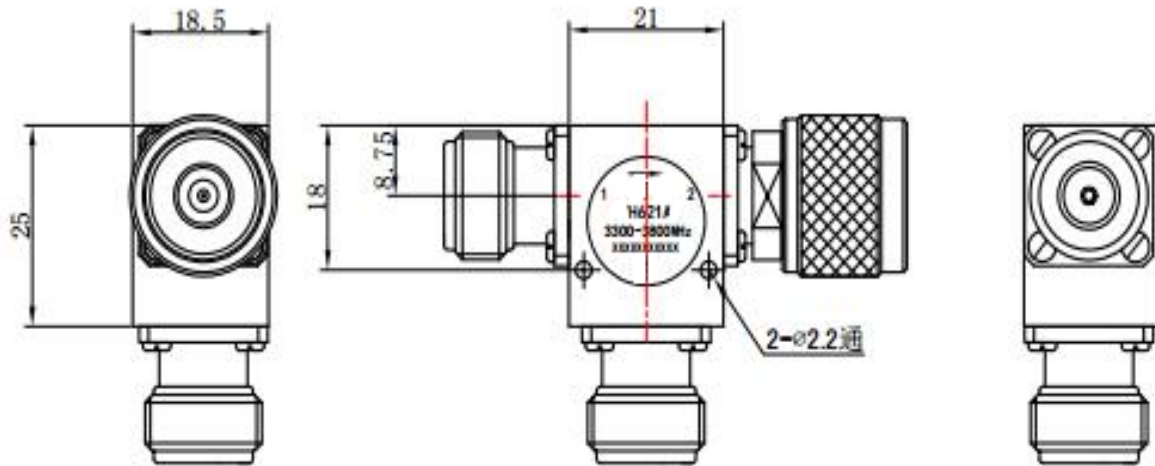
*Dimensions do not include connectors.

1.Features

UMTS, LTE Band

Wide Operation Temperature Range -40 ~ +80°C

2.Dimensions Unit:mm



3.Specifications

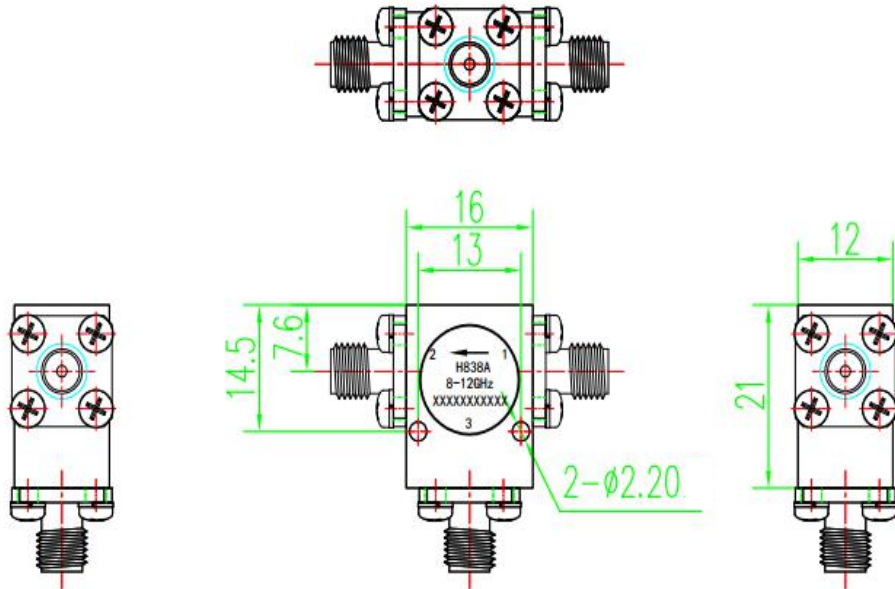
Part No.	Frequency (GHz)		Center Frequency (GHz)	Bandwidth (GHz)	Isolation (dB) MIN	INS LOSS (dB) MAX	VSWR MAX	Power (W)	IMD (@2X43dBm) (-dBc) MAX
	F1	F2							
H621AZ[1800-2200MHz]	1.800	2.200	2.0000	0.400	20	0.35	1.25	100	
H621AZ[2400-2700MHz]	2.400	2.700	2.5500	0.300	20	0.35	1.25	100	
H621AZ[3300-3800MHz]	3.300	3.800	3.5500	0.500	20	0.35	1.25	100	
H621AZ[4400-5000MHz]	4.400	5.000	4.7000	0.600	20	0.35	1.25	100	
H621AZ[5000-6000MHz]	5.000	6.000	5.5000	1.000	20	0.35	1.25	100	

1.Features

UMTS, LTE Band

Wide Operation Temperature Range -40 ~ +85°C

2.Dimensions Unit:mm



3.Specifications

Part No.	Frequency (GHz)		Center Frequency	Bandwidth	Isolation	INS LOSS	VSWR	Power	IMD
	F1	F2	(GHz)	(GHz)	(dB) MIN	(dB) MAX	MAX	(W)	(@2X43dBm (-dBc) MAX
H838AZ[5.6-6.5GHz]	5.600	6.500	6.0500	0.900	20	0.3	1.25	10	
H838AZ[6.4-7.2GHz]	6.400	7.200	6.8000	0.800	20	0.3	1.25	10	
H838AZ[7.1-7.9GHz]	7.100	7.900	7.5000	0.800	20	0.3	1.25	10	
H838AZ[7.7-8.5GHz]	7.700	8.500	8.1000	0.800	20	0.3	1.25	10	
H838AZ[8-12GHz]	8.000	12.000	10.0000	4.000	20	0.4	1.25	10	
H838AZ[10-15GHz]	10.000	15.000	12.5000	5.000	20	0.4	1.25	10	