

ECONOMY AUDIO DRY (NO DC) COUPLING TRANSFORMERS AT SERIES

FEATURES:

- Metric size
- Low cost
- Dielectric strength-1000VAC (PRI-SEC-CORE)
- Resistances $\pm 20\%$
- All impedances $\pm 10\%$ (at 1kHz)

OPTIONS:

- Bulk packaging is standard
- Custom design available

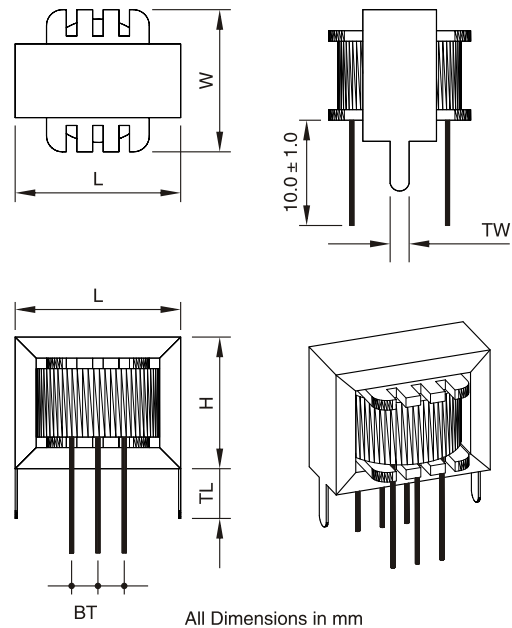
COMMON APPLICATIONS:

- Telephony
- Audio coupling / isolating
- Alarm system

ELECTRICAL CHARACTERISTICS

Part No.	Size	Description	Impedance(Ω)		DC Resistance	
			Pri.	Sec.	Pri.	Sec.
AT-201	1	Output	500 C.T.	8 C.T.	35	0.8
AT-130	1	Coupling	600 C.T.	600 C.T.	45	40
AT-202	1	Output	1K C.T.	8 C.T.	60	0.8
AT-203	1	Coupling	10K C.T.	600 C.T.	450	100
AT-204	1	Driver	10K C.T.	2K C.T.	500	200
AT-301	2	Output	500 C.T.	8 C.T.	22	0.8
AT-302	2	Interstage	500 C.T.	500 C.T.	30	28
AT-303	2	Output	1.2K C.T.	8 C.T.	80	0.8
AT-304	2	Output	48 C.T.	8 C.T.	2.5	0.5
AT-305	2	Output	200 C.T.	8 C.T.	12	0.8
AT-400	3	Output	200 C.T.	8 C.T.	12	0.8
AT-401	3	Output	500 C.T.	8 C.T.	26	0.8
AT-129	3	Coupling	600 C.T.	600 C.T.	65	55
AT-402	3	Output	800 C.T.	8 C.T.	40	0.8
AT-403	3	Output	1.2K C.T.	8 C.T.	80	0.8
AT-404	3	Interstage	1.5K C.T.	500 C.T.	120	50
AT-405	3	Coupling	10K C.T.	600 C.T.	600	100
AT-406	3	Driver	10K C.T.	2K C.T.	600	155
AT-500	4	Output	48 C.T.	8 C.T.	2.5	0.5
AT-501	4	Output	120 C.T.	8 C.T.	7	0.7
AT-502	4	Output	200 C.T.	8 C.T.	12	0.5
AT-503	4	Output	500 C.T.	8 C.T.	18	0.7
AT-504	4	Interstage	500 C.T.	500 C.T.	35	28
AT-505	4	Driver	10K C.T.	2K C.T.	600	155
AT-506	4	Output	1.2K C.T.	8 C.T.	75	0.8
AT-507	4	Coupling	600 C.T.	600 C.T.	65	55

PHYSICAL CHARACTERISTICS



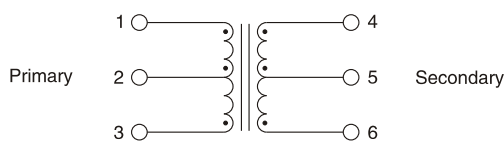
All Dimensions in mm

Dimensions(mm)

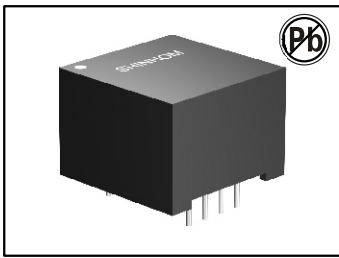
Part No.	size 1	size 2	size 3	size 4
	EI-14	EI-16	EI-19	EI-24
L	15.2	17.7	20.3	25.3
H	11.0	14.0	16.2	19.0
W	12.0	16.0	14.5	16.9
TW	2.0	2.2	2.2	2.6
TL	3.8	4.0	4.2	4.8
BT	2.5	2.8	3.0	4.5

Size 1: EI-14 series 0.75watts max. / TCW leads 0.4mm DIA.(0.0159)#26 AWG
 Size 2: EI-16 series 0.1watts max. / TCW leads 0.43mm DIA.(0.0179)#25 AWG
 Size 3: EI-19 series 0.2watts max. / TCW leads 0.4mm DIA.(0.0159)#25 AWG
 Size 4: EI-24 series 0.46watts max. / TCW leads 0.48mm DIA.(0.02)#24 AWG

TECHNICAL INFORMATION



Schematic



SURFACE MOUNT LINE MATCHING TRANSFORMERS AT 16XX SERIES

FEATURES:

- Fully encapsulated
- Low profile
- High dielectric strength
- Ten models available
- Ex stock
- Competitively priced
- Lead free
- RoHS compliant *

OPTIONS:

- Tape and reel is standard (400 pcs. per reel)
- Bulk packaging available for smaller quantities
- Custom design available
- Tolerance: 5% is standard, tighter tolerance available

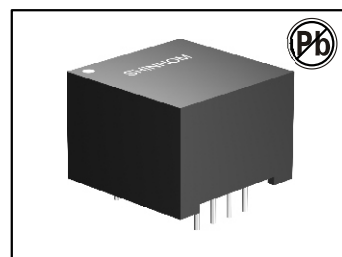
COMMON APPLICATIONS:

- Line matching
- Modems
- Fax modems
- Laptop Computer
- Telecommunications
- Instrumentation
- PCMCIA

ELECTRICAL CHARACTERISTICS

Parameters		Unit	Part Number											
			AT1601	AT1602	AT1603	AT1604	AT1605	AT1601A	AT1602A	AT1603A	AT1604A	AT1605A		
Ref. Temperature Data		°C	25	25	25	25	25	25	25	25	25	25	25	25
Impedance (min./at 1.0kHz)	Primary	Ω	600	600	600	600 (150,150)	600 (150+150)	600	600	600	600	600 (150,150)	600 (150+150)	
	Secondary	Ω	600	600 (150,150)	600 (150+150)	600 (150,150)	600 (150+150)	600	600 (150,150)	600 (150+150)	600 (150,150)	600 (150,150)	600 (150+150)	
Inductance (min./at 0.2 kHz)	Primary	H	2.8	2.8	2.8	2.8 (0.7,0.7)	2.8 (0.7+0.7)	2.8	2.8	2.8	2.8	2.8 (0.7,0.7)	2.8 (0.7+0.7)	
	Secondary	H	2.8	2.8 (0.7,0.7)	2.8 (0.7+0.7)	2.8 (0.7,0.7)	2.8 (0.7+0.7)	2.8	2.8 (0.7,0.7)	2.8 (0.7+0.7)	2.8 (0.7,0.7)	2.8 (0.7,0.7)	2.8 (0.7+0.7)	
DC-Resistance (Typical/ ± 10%)	Primary	Ω	66	66	66	66 (33,33)	66 (33+33)	90	90	90	90	90 (45,45)	90 (45+45)	
	Secondary	Ω	66	66 (33,33)	66 (33+33)	66 (33,33)	66 (33+33)	90	90 (45,45)	90 (45+45)	90 (45,45)	90 (45,45)	90 (45+45)	
Turns Ratio(≤ ± 2%)		-	1:1	1:1	1:1	1:1	1:1	1:1	1:1	1:1	1:1	1:1	1:1	
Winding Configurations		-	-	one winding centre tapped	one winding split	both windings centre tapped	both windings split	-	one winding centre tapped	one winding split	both windings centre tapped	both windings split		
Insertion Loss (at 2.0kHz)		dB	≤ 1.5					≤ 2.0						
Return Loss	Transformer (0.2-4.0kHz)	dB	≥ 10.0					≥ 8.0						
	In Networks	dB	≥ 21.0					≥ 20.0						
Shunt Loss (Typical)		kΩ	9.0					9.0						
Frequency Response (Typ./0.2-3.5kHz)		dB	-0.3					-0.5						
Wide Band Response(0.2-10kHz)		dB	-2.5					-4.5						
Power Level		dBm	-45.0~+3.0					-43.0~+3.0						
Longitudinal Balance(0.3-4.0kHz)		dB	-80.0					-70.0						
Distortion(0 dB/at 1.0kHz)		%	≤ 0.1					≤ 0.25						
Leakage Induction(Typical)		mH	14.0					14.0						
Dielectric Strength(P/S)		kVDC	6.5					6.5						
Temperature Range	Operation	°C	-10~+60					-10~+60						
	Storage	°C	-20~+70					-20~+70						
Specifications Met			BS 6240: Construction and flammability (UL 94 VO) BS 6310: Isolation BS 6305: Return loss (1982/paragraph 4.3.2.2/b)					CCITT: Rec. T/CD 1-1 (Sept. 1982)						

SURFACE MOUNT LINE MATCHING TRANSFORMERS AT 16XX SERIES



FEATURES:

- Fully encapsulated
- Low profile
- High dielectric strength
- Ten models available
- Ex stock
- Competitively priced
- Lead free
- RoHS compliant*

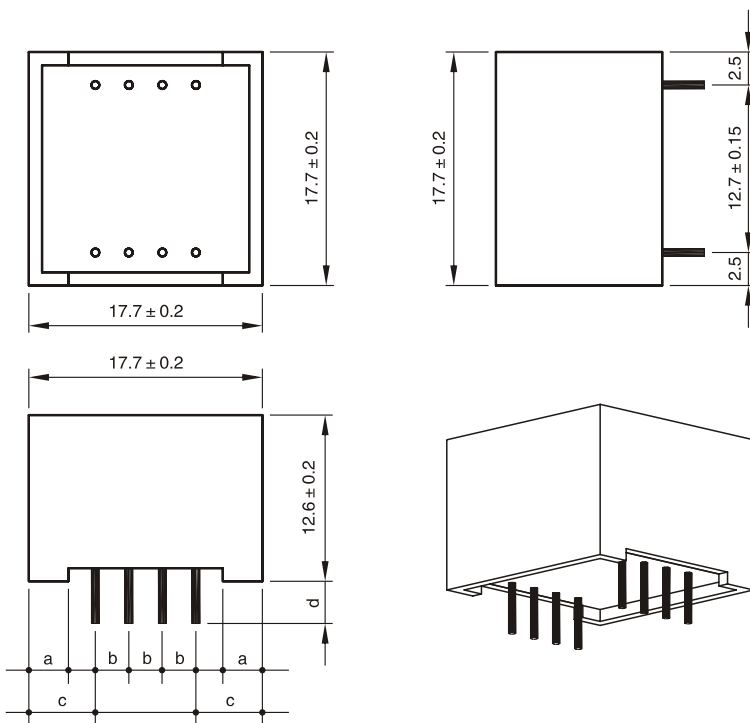
OPTIONS:

- Tape and reel is standard (400 pcs. per reel)
- Bulk packaging available for smaller quantities
- Custom design available
- Tolerance: 5% is standard, tighter tolerance available

COMMON APPLICATIONS:

- Line matching
- Modems
- Fax modems
- Laptop Computer
- Telecommunications
- Instrumentation
- PCMCIA

PHYSICAL CHARACTERISTICS



Note:
The AT1600 Series Line Matching Transformers meet the return loss specifications of BS 6305.

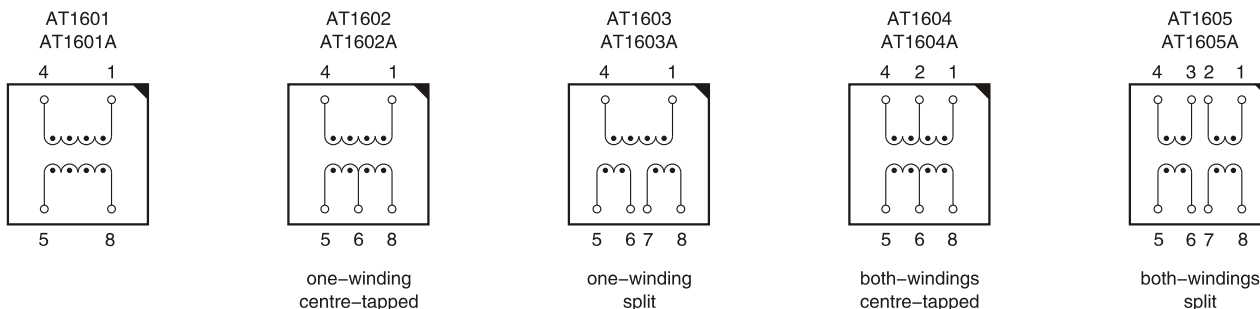
It is important, however, to use the circuit recommended by BS 6305 for return loss measurements.

The AT1600 Series meet EN41003.

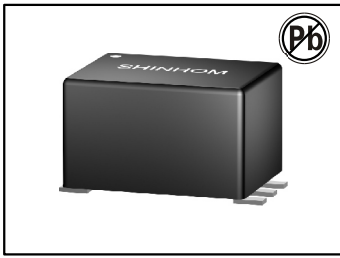
- a=3.0
- b=2.54
- c=5.04
- d=3.2 ± 0.8

Note: All Dimensions in mm

TECHNICAL INFORMATION



Due to the unique design and the most advanced manufacturing techniques the 2 coils are fully identical, meaning there is no real primary nor secondary winding. Depending on the application, the transformers can be used either way.



SURFACE MOUNT LINE MATCHING TRANSFORMERS AT801 SERIES

FEATURES:

- Subminiature in SMT
- 7.36mm seated height
- Tested at 4600 Vrms, 1minute
- Distortion of only 0.015%
- Vacuum encapsulated
- UL60950 certified
- RoHS compliant *

OPTIONS:

- Tape and reel is standard (400 pcs. per reel)
- Bulk packaging available for smaller quantities
- Custom design available
- Tolerance: 5% is standard, tighter tolerance available

COMMON APPLICATIONS:

- Modems(V32)
- Laptop Computer
- Telecommunications
- Instrumentation
- PCMCIA

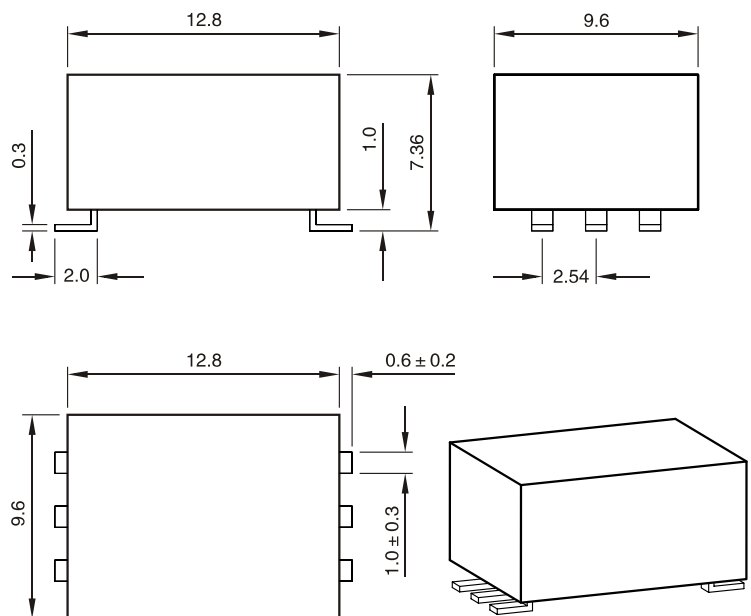
ELECTRICAL CHARACTERISTICS

Nominal Impedance:	600Ω
Turns Ratio:	1:1
Insertion Loss:	2.0dB max. at 2kHz
Frequency Response:	± 0.25dB max. 200–4kHz
Return Loss:	24dB min. 200–4kHz *
Balance:	80dB min.
Distortion:	-76dB max. @600Hz, -10dBm
Dielectric Strength:	4600 Vrms for 1 min.
Insulation Resistance:	100MΩ @500V
DC Resistance * *	
Primary:	115Ω ± 15%
Secondary:	115Ω ± 15%
Shunt Inductance:	3.8H min.
Shunt:	7500Ω min.
Leakage Inductance:	6mH typ. @1kHz
Power Level:	10dBm
Operating Temperature:	-20°C~+85°C
Storage Temperature:	-40°C~+85°C
Terminal Plating Material:	AgSn

* For use with recommended circuit (BS6305 impedance Class A non-speech or Class B speech)

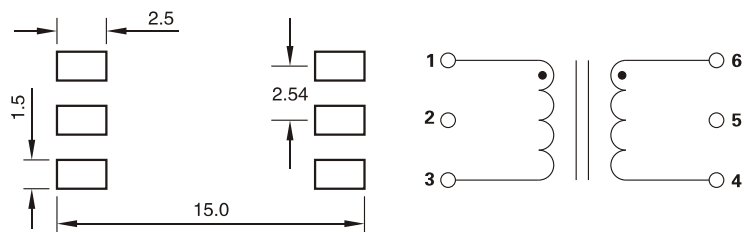
* AT801 is symmetrical, meaning there is no real primary nor secondary winding.

PHYSICAL CHARACTERISTICS



Note: All Dimensions in mm

TECHNICAL INFORMATION



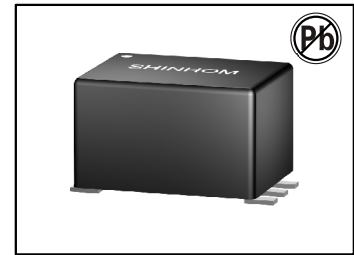
Suggested PCB Layout

Schematic

Note: All Dimensions in mm

SURFACE MOUNT LINE MATCHING TRANSFORMERS

AT802 SERIES



FEATURES:

- Subminiature in SMT
- 7.36mm seated height
- Tested at 4600 Vrms, 1minute
- Distortion of only 0.015%
- Vacuum encapsulated
- UL60950 certified
- RoHS compliant*

OPTIONS:

- Tape and reel is standard (400 pcs. per reel)
- Bulk packaging available for smaller quantities
- Custom design available
- Tolerance: 5% is standard, tighter tolerance available

COMMON APPLICATIONS:

- Modems(V32)
- Laptop Computer
- Telecommunications
- Instrumentation
- PCMCIA

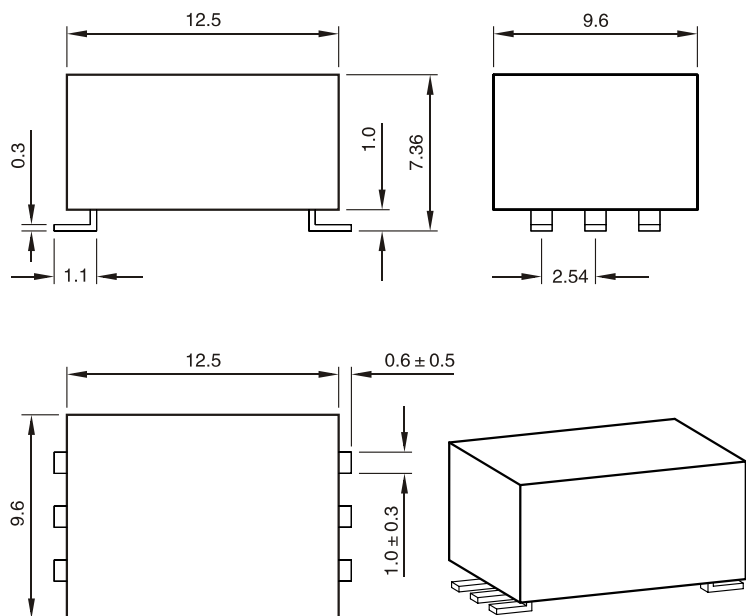
ELECTRICAL CHARACTERISTICS

Nominal Impedance:	600 Ω
Turns Ratio:	1:1
Insertion Loss:	2.0dB max. at 2kHz
Frequency Response:	± 0.25dB max. 200–4kHz
Return Loss:	24dB min. 200–4kHz *
Balance:	80dB min.
Distortion:	-85dB max. @600Hz, -10dBm
Dielectric Strength:	4600 Vrms for 1 min.
Insulation Resistance:	100MΩ @500V
DC Resistance * *	
Primary:	136 Ω ± 12%
Secondary:	136 Ω ± 12%
Shunt Inductance:	3.8H min.
Shunt:	7500 Ω min.
Leakage Inductance:	6–7mH typ. @1kHz
Power Level:	10dBm
Operating Temperature:	-20°C~+85°C
Storage Temperature:	-40°C~+85°C
Terminal Plating Material:	AgSn

* For use with recommended circuit (BS6305 impedance Class A non-speech or Class B speech)

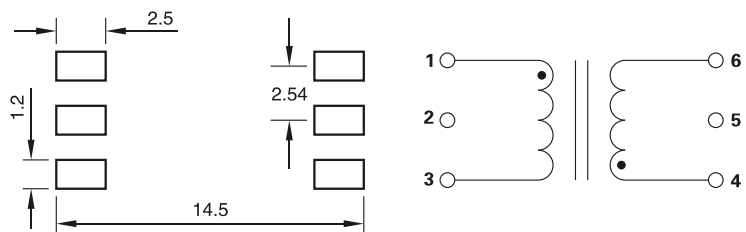
* AT802 is symmetrical, meaning there is no real primary nor secondary winding.

PHYSICAL CHARACTERISTICS



Note: All Dimensions in mm

TECHNICAL INFORMATION

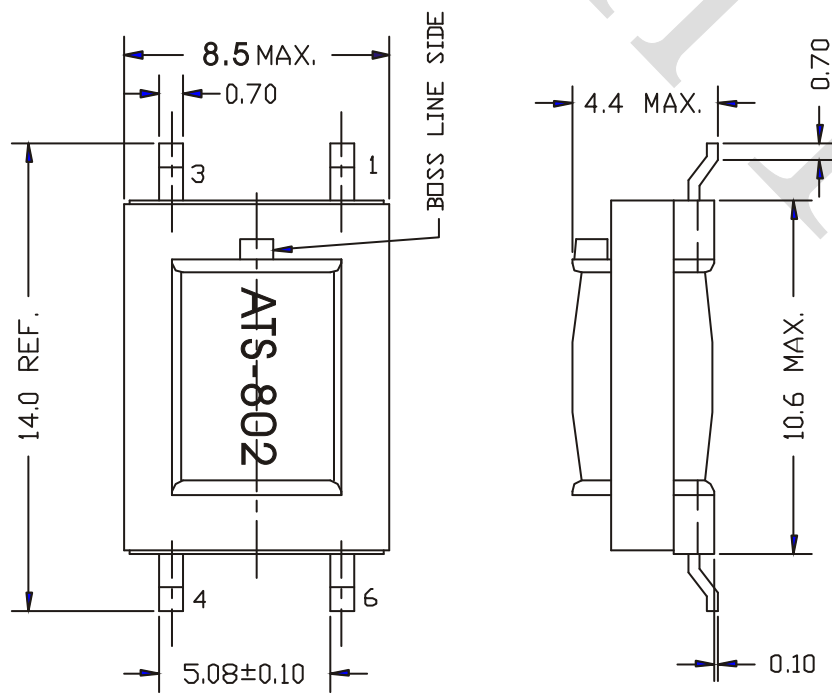


Suggested PCB Layout

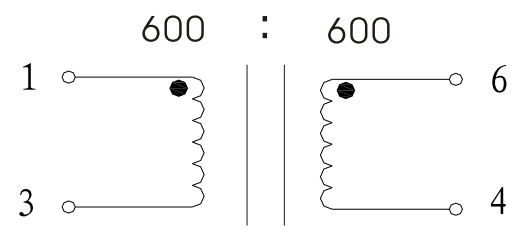
Schematic

Note: All Dimensions in mm

1. Mechanical Dimensions : (mm)



2. Coil structure and schematic



3. Electrical Specifications:

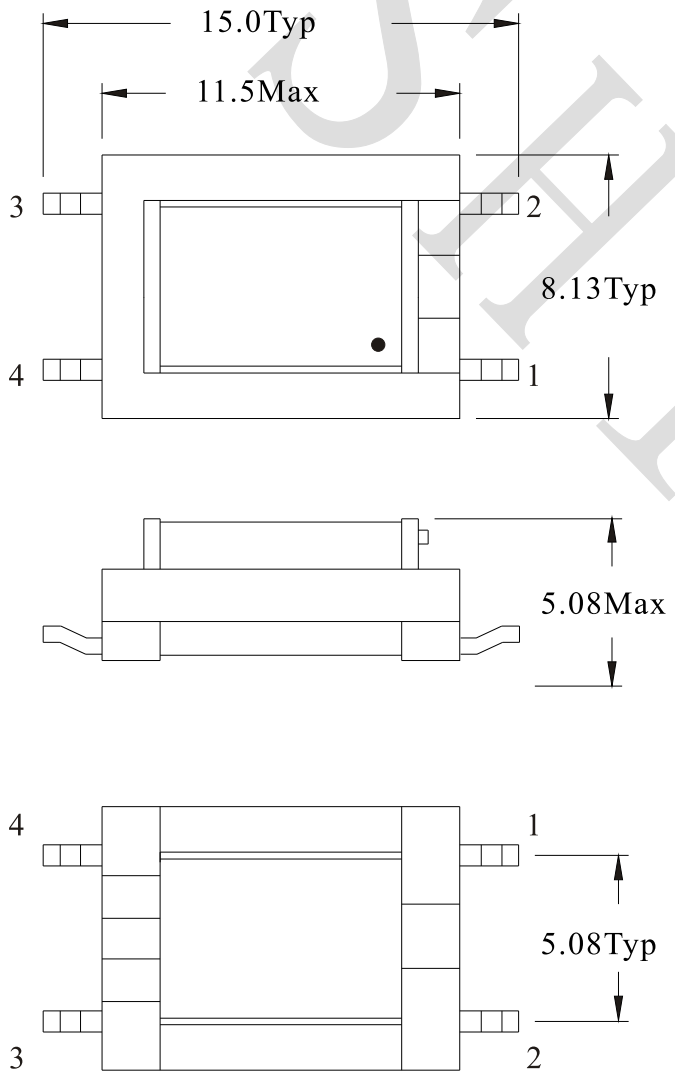
- DCR: PIN 1-3=48Ω ± 10%
PIN 4-6=42Ω ± 10%
- Inductance : (@250Hz, 0.5Vms, parallel) 1-3=1.5H Min
- IMPEDANCE: (@1KHz, 0dBm, 4-6 W/H 600Ω Load)
1-3=600Ω ± 10%
- INSERTION: LOSS=1.0dB Max
(at 1KHz, 0dBm, W/H 600Ω Load)
- FREQ RESP: (@ 300Hz To 4KHz, REF, 1KHz)=±0.35dB
- RETURN LOSS: @300Hz=20dB Min @1KHz=23dB Min
@4KHz=23dB Min
- TURN RATIO=1:1±1%
- POLARITY=PIN1-6INPHASE
- LONGITUDINAL BAL=70dB Min(@200Hz To 4KHz)
- HI-POT=1250VAC, 1mA, 2SEC(PRI-SEC)

SHINHOM Inc		Model: Inductance	
Unless Otherwise Specified TOLERANCES: XXX ± Dimensions in mm	P/N :	ATS-802	Date
	DWN :		2009-10-20
	CHK :		
NO.100, YanTa Northern road, xi anCity Shaanxi pro.china TEL:+86-29-87851916 FAX:+86-29-87851840		APP :	

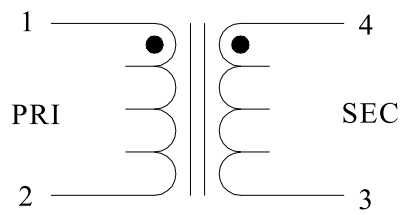
PROPRIETARY

Document is the property of SHINHOM Inc & is not allow to be duplicated without authorization

1. PHYSICAL CHARACTERISTICS(mm)



2. ELECTRONICAL SCHEMATIC



3. ELECTRONICAL SPECIFICATIONS

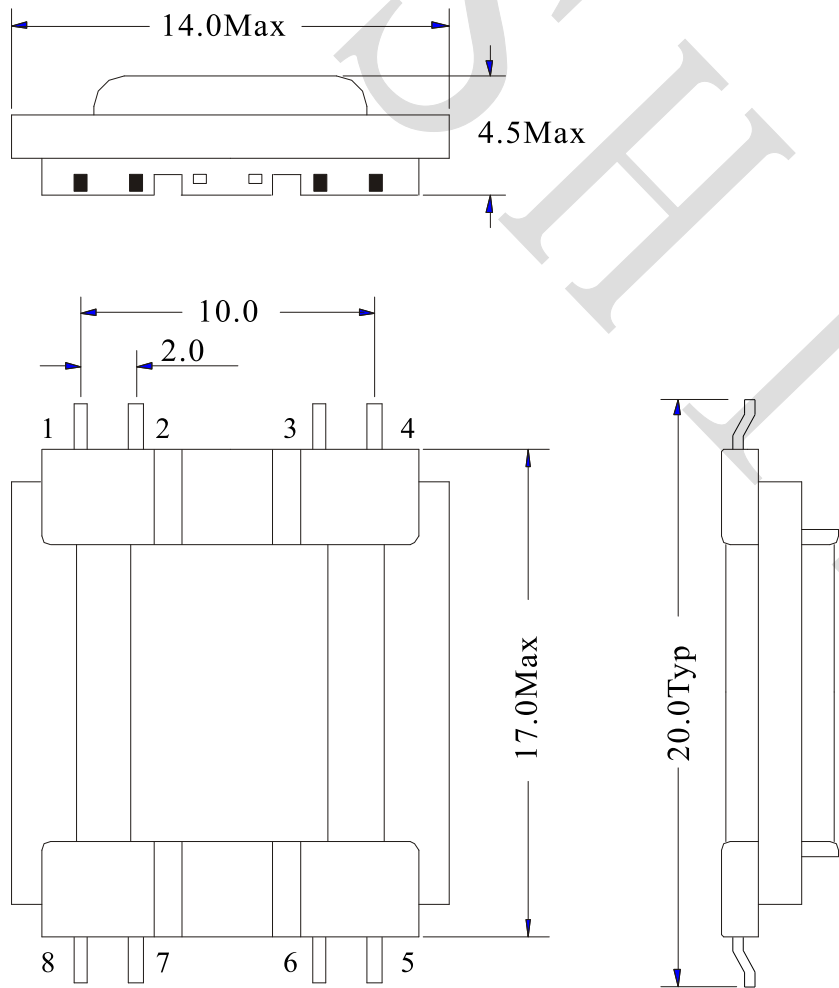
- Isolation voltage: 1000Vrms(Winding to Winding)
- Turns ratio: Pin1-2 : Pin4-3=1:1
- Pin1-2 inductance: 1.1H Min@1KHz,1V
- Pin1-2 DCR: 200 Ω Max
- Pin4-3 DCR: 180 Ω Max
- Insertion loss: 3.0dB Max@1KHz,1V@Load 600 Ω

Note:

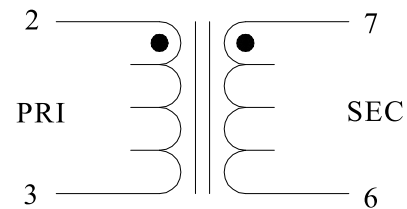
- 1.Solderability:leads shall meet MIL-STD-202, Method 208D for solderability.
- 2.Flammability: UL94V-0
- 3.ASTM oxygen index: >28%
- 4.Test Instrument: WK 3260B+3261A

NAME:	Audio transformer		
CUSTOMER P/N:		DATE:	2012-08-29
SHINHOM P/N:	ATS-806	REV: A0	PAGE
DRAWN BY	CHECKED BY	APPROVE BY	

1. PHYSICAL CHARACTERISTICS(mm)



2. ELECTRONICAL SCHEMATIC



3. ELECTRONICAL SPECIFICATIONS

Isolation voltage: 1000Vrms(Winding to Winding)

Turns ratio: Pin2-3 : Pin7-6=1:1

Pin1-2 inductance: 4.3H Min@1KHz,1V

Pin2-3 DCR: 200 Ω Max

Pin7-6 DCR: 230 Ω Max

Insertion loss: 3.0dB Max@1KHz,1V@Load 600 Ω

Note:

- 1.Solderability:leads shall meet MIL-STD-202, Method 208D for solderability.
- 2.Flammability: UL94V-0
- 3.ASTM oxygen index: >28%
- 4.Test Instrument: WK 3260B+3261A

NAME:	Audio transformer		
CUSTOMER P/N:		DATE:	2012-08-29
SHINHOM P/N:	ATS1202	REV: A0	PAGE
DRAWN BY	CHECKED BY	APPROVE BY	



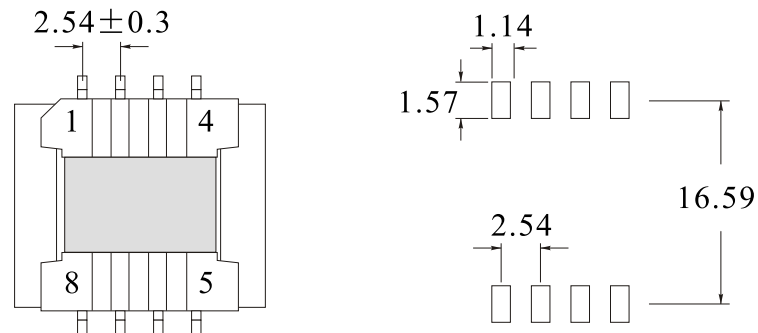
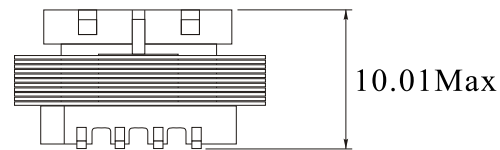
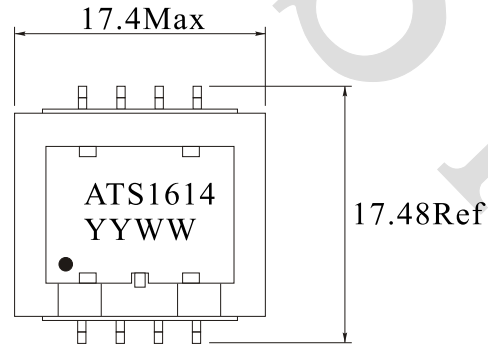
SHINHOM

SHAANXISHINHOM ENTERPRISE CO LTD

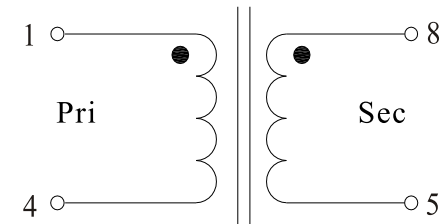
TEL:+86-029-87851838
 FAX:+86-029-87851840
 Http://www.shinhom.com
 E-mail:sales@shinhom.com.cn
 No.8,Yanta Northern Road,Xi'an Shaanxi Pro.China

Rev.	Description	Date
A0	New release	2020.09.17

1. PHYSICAL CHARACTERISTICS (mm)



2. ELECTRONICAL SCHEMATIC



3. ELECTRONICAL SPECIFICATIONS

Impedance: Designed to reflect 600 Ω on Pri with 392 Ω load on Sec

Longitudinal balance:

60dB min@200-1000Hz, 40dB min@1000-4000Hz, per FCC part 68.

58dB min@200-1000Hz, 53dB min@1000-3000Hz, per IEEE-455 1985.

DCR: Pri: 100 Ω ± 10%, Sec: 122 Ω ± 10%

Frequency response: ± 0.2dB@300-3500Hz

Insertion loss: 2.0dB ± 0.5dB@1KHz, 0dB

Dielectric rating: 1500Vac, 1min tested by applying
1250Vac, 1sec between Pri to Sec

Return loss: 25dB min@300-3500Hz

Turns ratio: Pri:Sec=1:1 ± 2%

Total harmonic distortion:

Line to Receive: -82dB max, 600Hz, -10dBm input

Transmit to Line: -67.5dB typ. 150Hz, -3dBm output

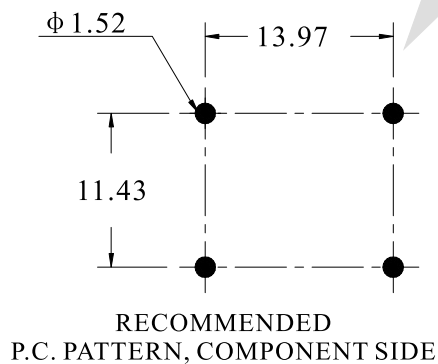
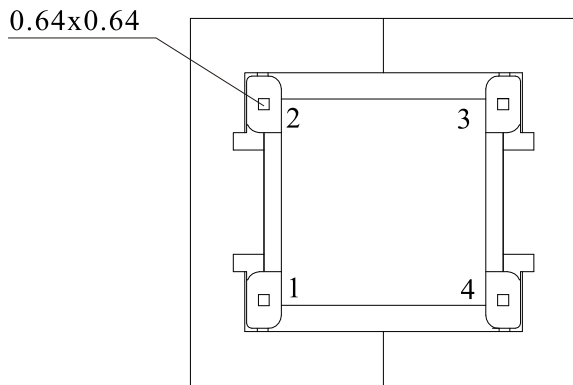
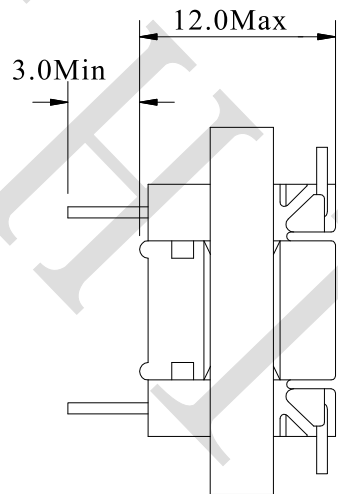
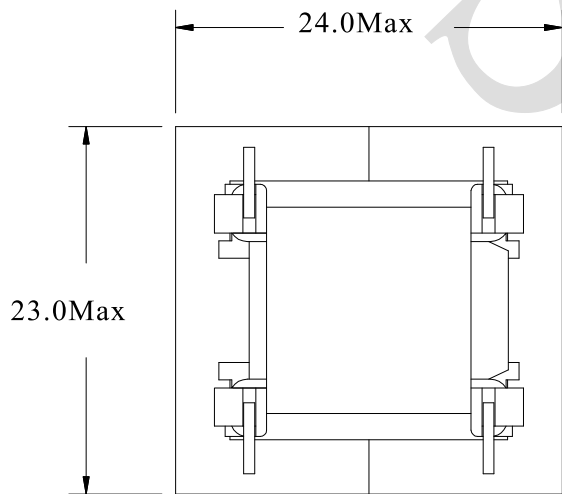
NAME:	Audio transformer		
CUSTOMER P/N:	671-8422-R	DATE:	2020-09-17
SHINHOM P/N:	ATS1614	REV: A0	PAGE
DRAWN BY	CHECKED BY	APPROVE BY	



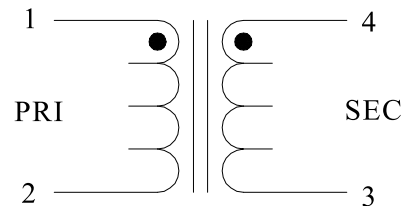
SHINHOM
SHAANXISHINHOM ENTERPRISE CO LTD

The Document property belong to SHINHOM & is not allowed to be duplicated without authorization

1. PHYSICAL CHARACTERISTICS(mm)



2. ELECTRONICAL SCHEMATIC



3. ELECTRONICAL SPECIFICATIONS

Isolation voltage: 1000Vrms(Winding to Winding)

Turns ratio: Pin1-2 : Pin4-3=1:1

Pin1-2 inductance: 200mH Min@1KHz,1V

Pin1-2 DCR: 140 Ω Max

Pin4-3 DCR: 160 Ω Max

Insertion loss: 3.0dB Max@1KHz,1V@Load 600 Ω

Note:

1. Solderability: leads shall meet MIL-STD-202, Method 208D for solderability.

2. Flammability: UL94V-0

3. ASTM oxygen index: >28%

4. Test Instrument: WK 3260B+3261A

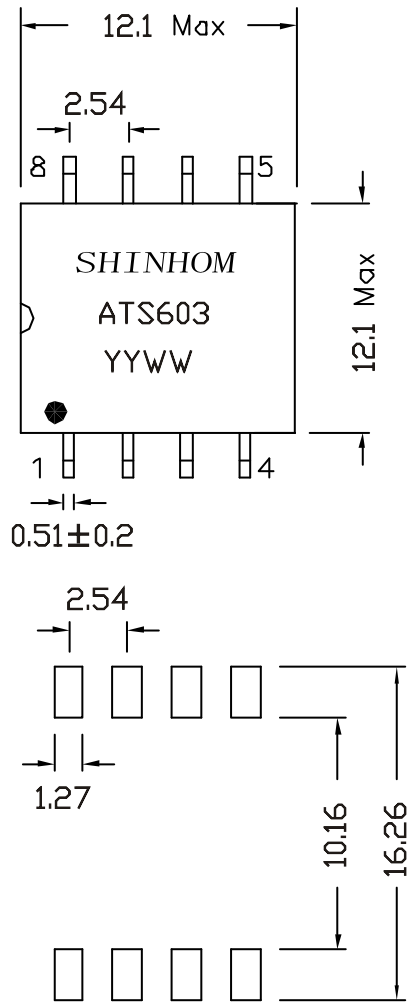
NAME:	Audio transformer		
CUSTOMER P/N:		DATE:	2012-08-29
P/N:	AT2302	REV:	A0 PAGE
DRAWN BY	CHECKED BY	APPROVE BY	



SHINHOM
SHAANXISHINHOM ENTERPRISE CO LTD

TEL:+86-029-87851838
FAX:+86-029-87851840
Http://www.shinhom.com
E-mail:sales@shinhom.com.cn
No.8,Yanta Northern Road,Xi'an Shaanxi Pro.China

1. PHYSICAL CHARACTERISTICS (mm)

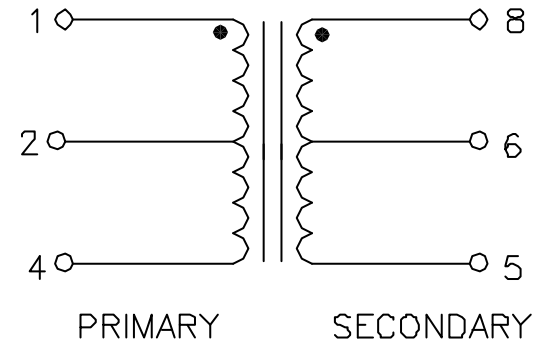


SUGGESTED FOOTPRINT

Notes:

1. Solderability: Leads shall meet MIL-STD-202G, Method 208H for solderability.
2. Flammability: UL94V-0
3. ASTM oxygen index: > 28%
4. Insulation System: Class F 155°C, UL file E151556
5. Operating Temperature Range: All listed parameters are to be within tolerance from -40°C to +85°C
6. Storage Temperature Range: -55°C to +125°C
7. Aqueous wash compatible
8. SMD Lead Coplanarity: $\pm 0.004^{\circ}$ (0.102mm)
9. Moisture Sensitivity: Level 3
10. Electrical and mechanical specifications 100% tested
11. RoHS Compliant Component

2. ELECTRONICAL SCHEMATIC



3. ELECTRONICAL SPECIFICATIONS

Isolation: 1500Vrms (Pri/Sec)

Turns Ratio: 1CT:1CT $\pm 3\%$

Pri OCL: 2.5mH $\pm 20\%$, 100KHz, 50mV

Leakage Inductance: 0.50uH Maximum, 100KHz, 50mV

ET Constant: 20V/uS

Rise Time: 25nS Maximum

Bandwidth: 3dB Typical 100KHz to 55MHz

Return Loss: 20dB Typical, 300KHz - 10MHz

Test Instrument:

L: HP4284A

RDC: HM2540



SHINHOM

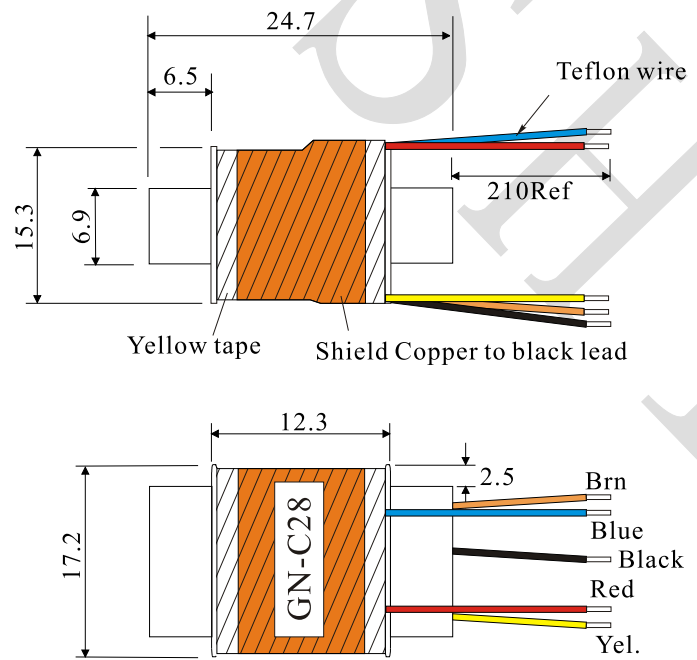
SHAANXISHINHOM ENTERPRISE CO LTD

TEL:+86-029-87851838
 FAX:+86-029-87851840
 Http://www.shinhom.com
 E-mail:sales@shinhom.com.cn
 NO. 8 Yanta Northern Road, Xi'an Shaanxi Pro. China

CUSTOMER P/N:		DATE:	2010-02-22
SHINHOM P/N:	ATS603	REV: A0	PAGE
DRAWN BY	CHECKED BY	APPROVE BY	



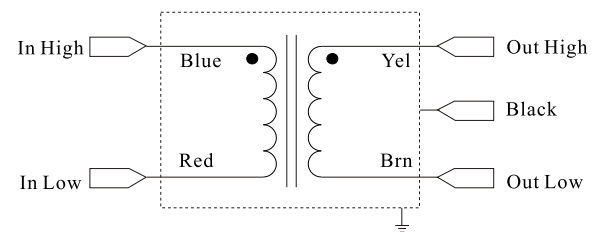
1. PHYSICAL CHARACTERISTICS (mm)



3. ELECTRONICAL SPECIFICATIONS

- Turns Ratio: 1:28
- Impedance ratio: 0.19:150
- Inductance(Blue-Red): 4.8mH Ref@100Hz,0.1V
- Inductance(Brn-Yel): 3.25H Ref@100Hz,0.1V
- Inductance(Blue-Red): 990uH Ref@1.0KHz,0.1V
- Inductance(Brn-Yel): 700mH Ref@1.0KHz,0.1V
- DCR(Blue-Red): 172mΩ ± 15%
- DCR(Brn-Yel): 21.35Ω ± 15%
- Capacitance: 88pF Max@1KHz
- Insertion loss: 5.8dB@1KHz
- Operating Temp Range: 0 °C to 70 °C

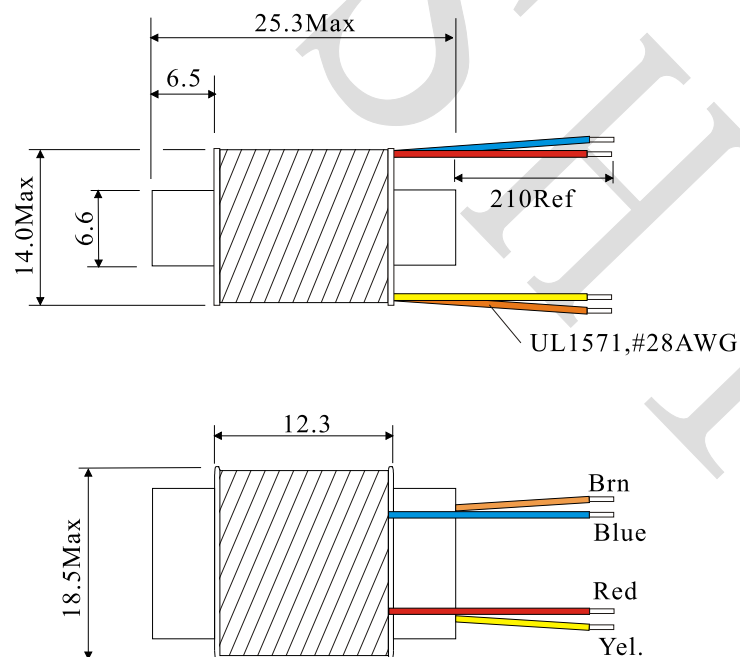
2. ELECTRONICAL SCHEMATIC



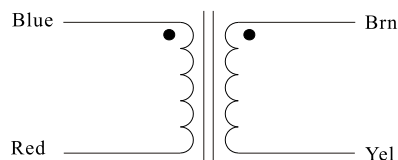
NAME:		TUBE MICROPHONE OUTPUT TRANSFORMER	
CUSTOMER P/N:		DATE:	2022-03-02
SHINHOM P/N:		REV: A0	PAGE
DRAWN BY		CHECKED BY	APPROVE BY



1. PHYSICAL CHARACTERISTICS (mm)



2. ELECTRONICAL SCHEMATIC



3. ELECTRONICAL SPECIFICATIONS

- Turns Ratio: 1:4.55
- Inductance(Blue-Red): 3.75H Ref@100Hz,0.1V
- Inductance(Brn-Yel): 195mH Ref@100Hz,0.1V
- Inductance(Blue-Red): 870mH Ref@1.0KHz,0.1V
- Inductance(Brn-Yel): 42mH Ref@1.0KHz,0.1V
- DCR(Blue-Red): $24 \Omega \pm 15\%$
- DCR(Brn-Yel): $2.16 \Omega \pm 15\%$
- Operating Temp Range: 0 °C to 70 °C

Test Instrument:

- L: HP4284A
- RDC: HM2540

Note:

- 1.Solderability:leads shall meet MIL-STD-202, Method 208D for solderability.
- 2.Flammability: UL94V-0
- 3.ASTM oxygen index: >28%

NAME:	TUBE MICROPHONE OUTPUT TRANSFORMER		
CUSTOMER P/N:	1154A2-RF EIA-17-1022-2A	DATE:	2022-05-10
SHINHOM P/N:	ATU1165-02	REV: A0	PAGE
DRAWN BY	CHECKED BY	APPROVE BY	

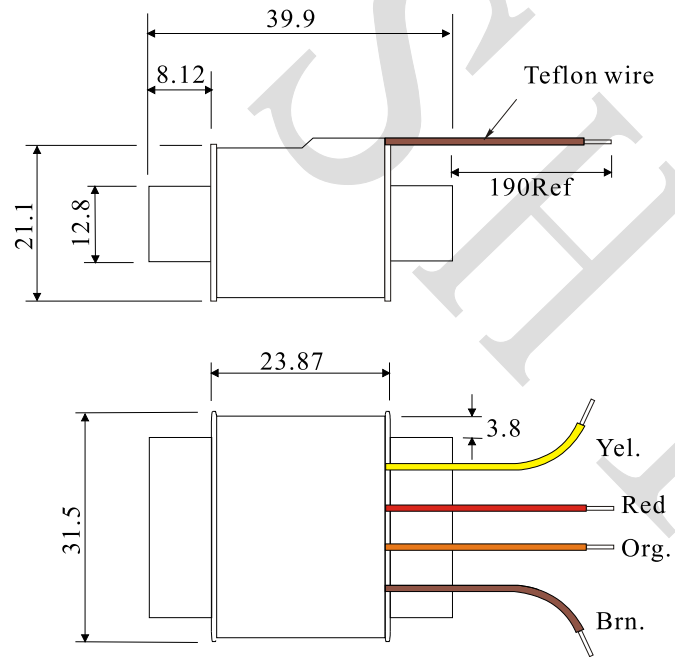


SHINHOM
SHAANXISHINHOM ENTERPRISE CO LTD

The Document property belong to SHINHOM & is not allowed to be duplicated without authorization



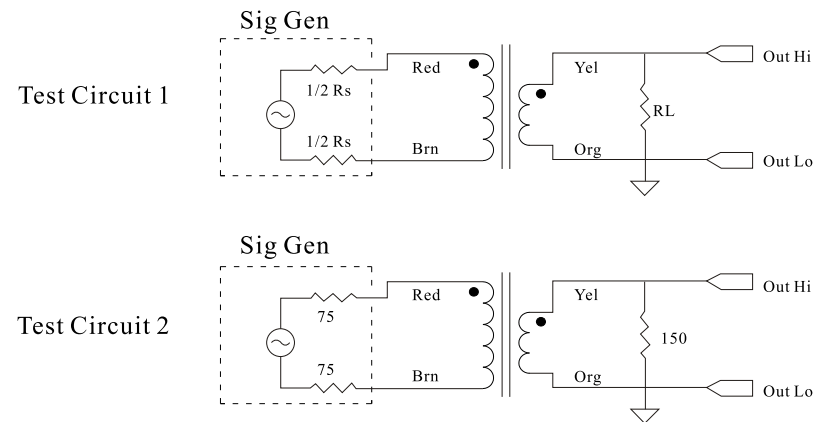
1. PHYSICAL CHARACTERISTICS (mm)



3. ELECTRONICAL SPECIFICATIONS

Parameter	Conditions	Typ
Turns Ratio		6.5 : 1
Voltage Gain	1kHz Rs=600 RL=100K	-16.26 dBu
	1kHz Rs=600 RL=200	-19.53 dBu
	1kHz Rs=600 RL=1.5K	-16.77 dBu
	1kHz Rs=2.5K RL=1.5K	-17.09 dBu
	1kHz Rs=5K RL=1.5K	-17.42 dBu
	1kHz Rs=10K RL=1.5K	-18.02 dBu
	1kHz Rs=20K RL=1.5K	-19.13 dBu
Distortion (THD+N%)	1 kHz, +24 dBu, Rs=2.5K RL=150 Test Circuit 1	0.003%
Max 20 Hz input level	0.1% THD+N% Test Circuit 1	+24 dBu
Response, ref 1 kHz	10 Hz Rs=5K RL=150 Test Circuit 1	-0.01 dB
	20 kHz	-0.02 dB
	100 kHz	-2 dB
Phase Shift at 20Hz	Referenced to source generator	+1
Phase Shift at 20 kHz	Rs=5K RL=150 Test Circuit 1	-16
CMRR	60 Hz Test Circuit 2 per IEE Std 389-1996.19	114 dB
	1 kHz	108 dB
	20 kHz	89 dB
Operating Temp Range		0 °C ~70 °C
Capacitance	1 kHz	325pF
Inductance	Red-Brn	787H
	Yel-Org	19.4H
DCR	Red-Brn	1.72kΩ
	Yel-Org	49Ω

2. ELECTRONICAL SCHEMATIC



NAME:	TUBE MICROPHONE OUTPUT TRANSFORMER		
CUSTOMER P/N:		DATE:	2021-12-21
SHINHOM P/N:	ATU2413-01	REV: A0	PAGE
DRAWN BY	CHECKED BY	APPROVE BY	



SHINHOM
SHAANXISHINHOM ENTERPRISE CO LTD

The Document property belong to SHINHOM & is not allowed to be duplicated without authorization